



Product Shown
B421-60-S-01

About the Singlewall Collar-Mount Tank Sumps

The octagon-shaped collar-mount singlewall tank sump is ideally configured for piping laid out in 45- and 90-degree angles. It is field height-adjustable and features an easy slurry pour channel to join the sump base and top hat. It comes standard with a snap-lock lid with vertical O-ring seal to make it watertight with available lid options. It can be attached to tank manufactures' collars using lamination or a combination of lamination and a slurry pour depending on the manufacturer. If using a Bravo collar with pour channel no field laminations are needed.

Bravo Solution Center

Call or Text (323) 541-3851
orders@sbravo.com

SIZES

- 42" or 48" diameter
- 32" or 36" reducer

**See page 2 for dimension drawing and dimension chart*

MATERIAL

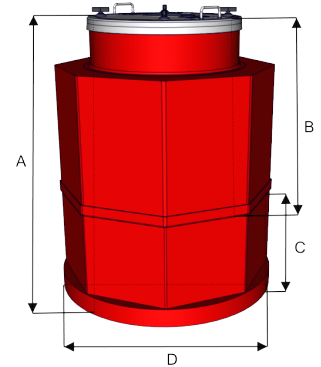
- Fiberglass

SPECIFICATIONS

- Quality FRP construction
- Two-piece configuration is height-adjustable
- Epoxy pour channel saves installation time
- 30-year corrosion warranty
- UL2447 listed



TANK SUMPS



42" Diameter 42" Collar-mounted Singlewall FRP Sump

Sump Type	Part # with 32" SL lid	Part # with 36" SL lid	Part # with 32" Twist-Lock lid	Min/Max	A	B	C	D
Singlewall collar-mount 42" tall	B421-42-S-01	B421-42-S-02	B421-42-S-50	24" / 3'6"	42"	26"	16"	42"
Singlewall collar-mount 48" tall	B421-48-S-01	B421-48-S-02	B421-48-S-50	32" / 4'	48"	26"	22"	42"
Singlewall collar-mount 60" tall	B421-60-S-01	B421-60-S-02	B421-60-S-50	36" / 5'	60"	38"	22"	42"
Singlewall collar-mount 72" tall	B421-72-S-01	B421-72-S-02	B421-72-S-50	36" / 6'	72"	50"	22"	42"
Singlewall collar-mount 84" tall	B421-84-S-01	B421-84-S-02	B421-84-S-50	36" / 7'	84"	62"	22"	42"

48" Diameter 48" Collar-mounted Singlewall FRP Sump

Sump Type	Part # with 32" SL lid	Part # with 36" SL lid	Part # with 32" Twist-Lock lid	Min/Max	A	B	C	D
Singlewall collar-mount 42" tall	B481-42-S-01	B481-42-S-02	B481-42-S-50	24" / 3'6"	42"	26"	16"	48"
Singlewall collar-mount 48" tall	B481-48-S-01	B481-48-S-02	B481-48-S-50	32" / 4'	48"	26"	22"	48"
Singlewall collar-mount 60" tall	B481-60-S-01	B481-60-S-02	B481-60-S-50	36" / 5'	60"	38"	22"	48"
Singlewall collar-mount 72" tall	B481-72-S-01	B481-72-S-02	B481-72-S-50	36" / 6'	72"	50"	22"	48"
Singlewall collar-mount 84" tall	B481-84-S-01	B481-84-S-02	B481-84-S-50	36" / 7'	84"	62"	22"	48"

48" Diameter 42" Collar-mounted Singlewall FRP Sump

Sump Type	Part # with 32" SL lid	Part # with 36" SL lid	Part # with 32" Twist-Lock lid	Min/Max	A	B	C	D
Singlewall collar-mount 42" tall	B487-42-S-01	B487-42-S-02	B487-42-S-50	24" / 3'6"	42"	26"	16"	42"
Singlewall collar-mount 48" tall	B487-48-S-01	B487-48-S-02	B487-48-S-50	32" / 4'	48"	26"	22"	42"
Singlewall collar-mount 60" tall	B487-60-S-01	B487-60-S-02	B487-60-S-50	36" / 5'	60"	38"	22"	42"
Singlewall collar-mount 72" tall	B487-72-S-01	B487-72-S-02	B487-72-S-50	36" / 6'	72"	50"	22"	42"
Singlewall collar-mount 84" tall	B487-84-S-01	B487-84-S-02	B487-84-S-50	36" / 7'	84"	62"	22"	42"