



Product Shown  
B421-60-D-01

## About the Doublewall Collar-Mount Tank Sumps with Lids

The octagon-shaped collar-mount doublewall tank sump is ideally configured for piping laid out in 45- and 90-degree angles. It is field height-adjustable and features a pour channel that makes for a simple PC slurry pour to join the sump base and top hat. It comes standard with a snap-lock lid with vertical O-ring seal to make it watertight with other available lid options. It is VPH compliant and can be laminated on to doublewall collars. When using Bravo doublewall collars with a pour channel, no field lamination is needed. It ships under 20" HG vacuum to ensure wall integrity.

### Bravo Solution Center

Call or Text (323) 541-3851  
[orders@sbravo.com](mailto:orders@sbravo.com)

## SIZES

- 42" or 48" diameter
- 32" or 36" reducer

*\*See page 2 for dimension drawing and dimension chart*

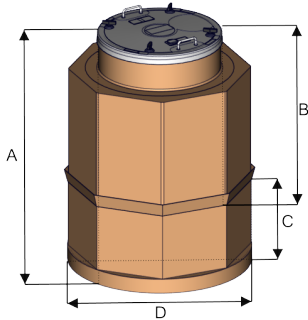
## MATERIAL

- Fiberglass

## SPECIFICATIONS

- Quality FRP construction
- Split configuration is height-adjustable
- Fuel compatible resin doesn't require gel coat
- Doublewall is suitable for constant monitoring – triennial testing exempt
- 30-year corrosion warranty
- UL2447 listed





### 42" Diameter 42" Collar-mounted Doublewall VPH FRP

Sump Type	Part # with 32" SL lid	Part # with 36" SL lid	Part # with 32" Twist-Lock lid	Min/Max	A	B	C	D
Doublewall VPH 42" tall	B421-42-D-01	B421-42-D-02	B421-42-D-50	30" / 3'6"	42"	26"	16"	42"
Doublewall VPH 48" tall	B421-48-D-01	B421-48-D-02	B421-48-D-50	36" / 4'	48"	26"	22"	42"
Doublewall VPH 60" tall	B421-60-D-01	B421-60-D-02	B421-60-D-50	40" / 5'	60"	38"	22"	42"
Doublewall VPH 72" tall	B421-72-D-01	B421-72-D-02	B421-72-D-50	40" / 6'	72"	50"	22"	42"
Doublewall VPH 84" tall	B421-84-D-01	B421-84-D-02	B421-84-D-50	40" / 7'	84"	62"	22"	42"

### 48" Diameter 48" Collar-mounted Doublewall VPH FRP

Sump Type	Part # with 32" SL lid	Part # with 36" SL lid	Part # with 32" Twist-Lock lid	Min/Max	A	B	C	D
Doublewall VPH 42" tall	B481-42-D-01	B481-42-D-02	B481-42-D-50	30" / 3'6"	42"	26"	16"	48"
Doublewall VPH 48" tall	B481-48-D-01	B481-48-D-02	B481-48-D-50	36" / 4'	48"	26"	22"	48"
Doublewall VPH 60" tall	B481-60-D-01	B481-60-D-02	B481-60-D-50	40" / 5'	60"	38"	22"	48"
Doublewall VPH 72" tall	B481-72-D-01	B481-72-D-02	B481-72-D-50	40" / 6'	72"	50"	22"	48"
Doublewall VPH 84" tall	B481-84-D-01	B481-84-D-02	B481-84-D-50	40" / 7'	84"	62"	22"	48"

### 48" Diameter 42" Collar-mounted Doublewall VPH FRP

Sump Type	Part # with 32" SL lid	Part # with 36" SL lid	Part # with 32" Twist-Lock lid	Min/Max	A	B	C	D
Doublewall VPH 42" tall	B487-42-D-01	B487-42-D-02	B487-42-D-50	30" / 3'6"	42"	26"	16"	42"
Doublewall VPH 48" tall	B487-48-D-01	B487-48-D-02	B487-48-D-50	36" / 4'	48"	26"	22"	42"
Doublewall VPH 60" tall	B487-60-D-01	B487-60-D-02	B487-60-D-50	40" / 5'	60"	38"	22"	42"
Doublewall VPH 72" tall	B487-72-D-01	B487-72-D-02	B487-72-D-50	40" / 6'	72"	50"	22"	42"
Doublewall VPH 84" tall	B487-84-D-01	B487-84-D-02	B487-84-D-50	40" / 7'	84"	62"	22"	42"