

Product Shown
B421-48-D-00

About the Doublewall VPH Collar-Mount Tank Sumps with No Lid

The Tank Sump Tall Collar Doublewall VPH with the octagon shape provides the greatest access to pipe at 45- and 90-degree angles. It features a snap-lock lid with vertical o-ring seal to make it water-tight. It comes with a 30-year corrosion warranty. There is a v-groove pour channel to join the two-piece containment sump eliminating the need for lamination. The pour channel allows communication between the base and the top hat. The base of the tall collar can be applied by the tank manufacturer or saddle cut at the factory to speed up installation. When used in conjunction with a Bravo fill sump multiport cover, it can be used as a fill sump.

Bravo Solution Center

Call or Text (323) 541-3851
orders@sbravo.com

SIZES

- 42" or 48" diameter
- 32" or 36" reducer

**See page 2 for dimension drawing and dimension chart*

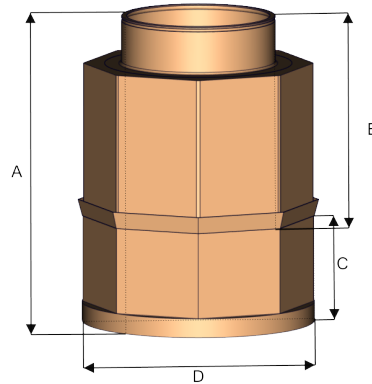
MATERIAL

- Fiberglass

SPECIFICATIONS

- Quality FRP construction
- Split configuration is height adjustable
- Fuel resistant doesn't require gel coat for fuel resistance
- Doublewall is suitable for constant monitoring-triennial testing exempt
- 30-year corrosion warranty
- UL2447 listed





42" Diameter 42" Collar-mounted Doublewall VPH FRP (No Lid)

Sump Type	Part # 32" reducer with No lid No kits	Part # 36" reducer with no lid	Min/Max	A	B	C	D
Doublewall VPH collar-mounted 48" tall	B421-48-D-00	B421-48-D-20	36" / 4'	48"	26"	22"	42"
Doublewall VPH collar-mounted 60" tall	B421-60-D-00	B421-60-D-20	40" / 5'	60"	38"	22"	42"
Doublewall VPH collar-mounted 72" tall	B421-72-D-00	B421-72-D-20	40" / 6'	72"	50"	22"	42"
Doublewall VPH collar-mounted 84" tall	B421-84-D-00	B421-84-D-20	40" / 7'	84"	62"	22"	42"

48" Diameter 48" Collar-mounted Doublewall VPH FRP (No Lid)

Sump Type	Part # 32" reducer with No lid No kits	Part # 36" reducer with no lid	Min/Max	A	B	C	D
Doublewall VPH collar-mounted 48" tall	B481-48-D-00	B481-48-D-20	36" / 4'	48"	26"	22"	48"
Doublewall VPH collar-mounted 60" tall	B481-60-D-00	B481-60-D-20	40" / 5'	60"	38"	22"	48"
Doublewall VPH collar-mounted 72" tall	B481-72-D-00	B481-72-D-20	40" / 6'	72"	50"	22"	48"
Doublewall VPH collar-mounted 84" tall	B481-84-D-00	B481-84-D-20	40" / 7'	84"	62"	22"	48"

48" Diameter 42" Collar-mounted Doublewall VPH FRP (No Lid)

Sump Type	Part # 32" reducer with No lid No kits	Part # 36" reducer with no lid	Min/Max	A	B	C	D
Doublewall VPH Collar-mounted	B487-48-D-00	B487-48-D-20	36" / 4'	48"	26"	22"	42"
Doublewall VPH Collar-mounted	B487-60-D-00	B487-60-D-20	40" / 5'	60"	38"	22"	42"
Doublewall VPH Collar-mounted	B487-72-D-00	B487-72-D-20	40" / 6'	72"	50"	22"	42"
Doublewall VPH Collar-mounted	B487-84-D-00	B487-84-D-20	40" / 7'	84"	62"	22"	42"