

Product Shown  
B9380-D36

## About the VPH B9000 Doublewall UDC

The B9000 Series Doublewall VPH UDCs are available in models for almost all existing dispensers. All metal work is galvanized and epoxy coated for superior corrosion resistance. This series ships under a continuous 20" Hg vacuum test.

### Bravo Solution Center

Call or Text (323) 541-3851  
orders@sbravo.com

## SIZES

- 28" width at base

*\*See page 2 for dimension drawing and dimension chart*

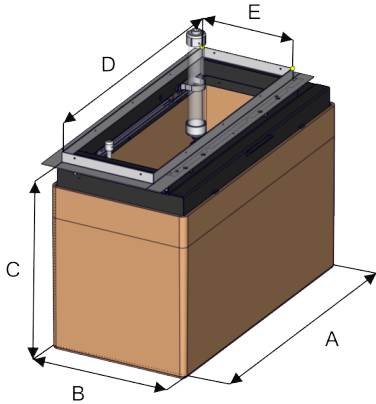
## MATERIAL

- Tank-spec doublewall fiberglass
- Epoxy coated galvanized steel
- Doublewall construction allows for constant monitoring

## SPECIFICATIONS

- Doublewall construction allows for constant monitoring – triennial testing exempt
- Larger size and roomy interior are compatible with all piping layouts
- Electrical offset frame eliminates the need for conduit penetrations
- Interstice can be monitored hydrostatically or with vacuum
- Interchangeable upper frame for future dispenser upgrades without breaking concrete
- 30-year corrosion warranty
- UL2447 Listed





### VPH B9000 Series Doublewall

Dispenser Model	Part #	A	B	C	D	E
Gilbarco Encore 300, 500, 700	B9380-D36	41"	28"	35.5"	36"	15.25"
Wayne Ovation (3+0) (3+1) up to 3 inlets	B9250-D36	41"	28"	35.5"	35"	14.75"
Wayne Helix Wide Frame	B9256-D36	41"	28"	35.5"	40"	15"
Wayne Helix Narrow Frame	B9242-D36	29"	28"	35.5"	40.5"	15"
Wayne Ovation High-speed Diesel/Ovation HL Series	B9254-D36	41"	28"	35.5"	40.5"	14.75"
Wayne Ovation High-speed Diesel/Ovation HS Series	B9257-D36	29"	28"	35.5"	28.5"	14.75"
Wayne Reliance Select	B9210-D36	29"	28"	35.5"	27.25"	15"
Gasboy Atlas K or KX	B9670-D36	25.5"	28"	35.5"	23"	11.5"
Gasboy Twin Cabinet AX or QX	B9635-D36	25.5"	28"	35.5"	22.75"	12.5"
Bennett 3000 Big Fueler	B9430-D36	25.5"	28"	35.5"	23"	12.25"

### Bracket and Kits for VPH B9000 Series Doublewall

Stabilizer Bar and Bracket Assembly		
All Dispensers with B8000series	BK-8000	Boss-mount bracket and stabilizer bar assembly with hardware.

**Bravo Solution Center**  
 Call or Text (323) 541-3851  
[orders@sbravo.com](mailto:orders@sbravo.com)

