

Product Shown
B8380-D30

About the VPH B8000 Doublewall UDC

The B8000 Series Doublewall VPH UDCs are available in models for almost all existing dispensers. All metal work is galvanized and epoxy coated for superior corrosion resistance. This series ships under a continuous 20" Hg vacuum test.

Bravo Solution Center

Call or Text (323) 541-3851
orders@sbravo.com

SIZES

- 20" width at base

**See page 2 for dimension drawing and dimension chart*

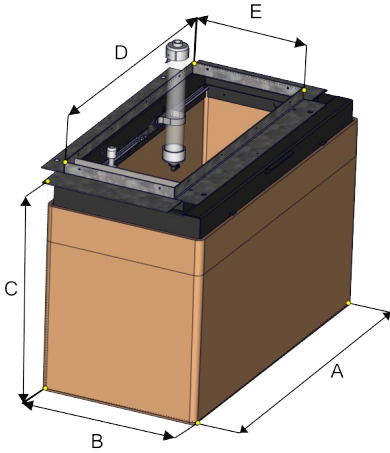
MATERIAL

- Tank-spec doublewall fiberglass
- Epoxy coated galvanized steel
- Doublewall construction allows for constant monitoring

SPECIFICATIONS

- Doublewall construction allows for constant monitoring – triennial testing exempt
- Compact design ideal for parallel/manifold piping systems and narrow islands
- Electrical offset frame eliminates the need for conduit penetrations
- Interstice can be monitored hydrostatically or with vacuum
- Interchangeable upper frame for future dispenser upgrades without breaking concrete
- 30-year corrosion warranty
- UL2447 listed





VPH B8000 Series Doublewall

Dispenser Model	Part #	A	B	C	D	E
Gilbarco Encore 300, 500, 700	B8380-D30	41"	20"	30"	36"	15.25"
Wayne Ovation (3+0) (3+1) up to 3 inlets	B8250-D30	41"	20"	30"	35"	14.75"
Wayne Helix Wide Frame	B8256-D30	41"	20"	30"	40"	15"
Wayne Helix Narrow Frame	B8242-D30	29"	20"	30"	40.5"	15"
Wayne Ovation High-speed Diesel/Ovation HL Series	B8254-D30	41"	20"	30"	40.5"	14.75"
Wayne Ovation High-speed Diesel/Ovation HS Series	B8257-D30	29"	20"	30"	28.5"	14.75"
Wayne Reliance Select	B8210-D30	29"	20"	30"	27.25"	15"
Gasboy Atlas K or KX	B8670-D30	25.5"	20"	30"	23"	11.5"
Gasboy Twin Cabinet AX or QX	B8635-D30	25.5"	20"	30"	22.75"	12.5"
Bennett 3000 Big Fueler	B8430-D30	25.5"	20"	30"	23"	12.25"

Bracket and Kits for B8000 Two-Piece

Stabilizer Bar and Bracket Assembly		
All Dispensers with B8000 series	BK-8000	Boss-mount bracket and stabilizer bar assembly with hardware.
Bracket for Vapor valve	BK-B2	X and Y Axis Adjustable stabilizer bracket for Vapor Valve

Bravo Solution Center
Call or Text (323) 541-3851
orders@sbravo.com

