

Product Shown
B1380-D30

About the VPH B1000 Doublewall UDC

The B1000 Series Doublewall VPH is available in models for most modern dispensers. All metal work is galvanized for corrosion resistance and the splash is FRP for a distinct corrosion advantage over other designs. Electrical offsets on both ends of the UDC provide needed flexibility to accommodate modern station designs.

Bravo Solution Center

Call or Text (323) 541-3851
orders@sbravo.com

SIZES

- 28" width at base

**See page 2 for dimension drawing and dimension chart*

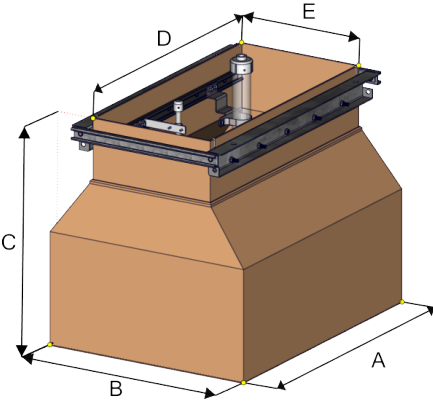
MATERIAL

- Tank-spec doublewall fiberglass
- Galvannealed steel
- Doublewall construction allows for constant monitoring

SPECIFICATIONS

- Triennial testing exempt when constantly monitored
- Quality FRP construction
- Pre-plumb options available
- 30-year corrosion warranty
- AB2481 compliant in California
- UL2447 listed, the benchmark for fuel compatibility





Bracket and Kits for VPH B1000 Series Doublewall

Stabilizer Bar and Bracket Assembly		
Encore/Helix Wide	BK-1017	Boss-mount bracket for B1000 & stabilizer bar for 17". Wide assembly with hardware.
Ovation/Ovation High Speed/Helix Narrow/Pacific/Reliance/Select	BK-1015	Boss-mount bracket for B1000 & stabilizer bar for 15". Wide assembly with hardware.
Atlas/Bennett 3000	BK1011	Boss-mount bracket for B1000 & stabilizer bar for 11". Wide assembly with hardware.

VPH B1000 Series Doublewall

Dispenser Model	Part #	A	B	C	D	E
Gilbarco Encore 300, 500, 700	B1380-D30	37"	28"	29.5"	36"	17"
Wayne Ovation (3+0) (3+1) up to 3 inlets	B1250-D30	37"	28"	29.5"	35"	14.75"
Wayne Helix Wide Frame	B1256-D30	37"	28"	29.5"	37.5"	17"
Wayne Helix Narrow Frame	B1242-D30	29"	28"	29.5"	27"	14.75"
Wayne Ovation High-speed Diesel/Ovation HL Series	B1254-D30	35"	28"	29.5"	35"	14.75"
Wayne Ovation High-speed Diesel/Ovation HS Series *	B1257-D30	29"	28"	29.5"	27"	14.75"
Wayne Reliance Select	B1210-D30	29"	28"	29.5"	27"	14.75"
Bennett Pacific	B1411-D30	37"	28"	29.5"	35"	14.75"
Bennett 3000 Big Fueler*	B1430-D30	19"	29.5"	29.5"	19"	11.5"
Gasboy Atlas	B1670-D30	19"	29.5"	29.5"	19"	11.5"

* Electrical Offsets on one end

