



B800 Series

TRANSITION SUMP



OVERVIEW:

Compatible with all common fuels, Bravo's B800 single wall and double wall transition sumps come with a standard snap-lock watertight lid. CA VPH compliant. Two-piece design allows easier interior access.

SIZES:

- 33", 44", or 57" wide at base

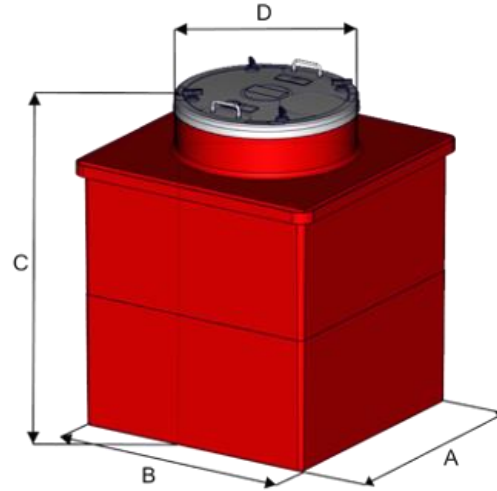
*See page 2 for dimensions drawing and chart

MATERIALS:

- Tank-grade fiberglass material allows our product to be exposed to fuels
- Galvannealed steel

SPECIFICATIONS:

- Easy slurry pour channel
- Double wall construction can be monitored with vacuum or hydrostatically making it triennial testing exempt with continuous monitoring
- Ships under a continuous 20" Hg vacuum test



Two-Piece Single Wall

Part#	Description	A	B	C
B833-S36-01	Singlewall two-piece FRP transition sump with 32" water-tight Bravo snap-lock lid; requires 1 of EP-S.75GAL; sold separately	33"	33"	36"
B844-S48-01	Singlewall two-piece FRP transition sump with 32" water-tight Bravo snap-lock lid; requires 2 of EP-S.75GAL; sold separately	44"	44"	48"
B855-S60-01	Singlewall two-piece FRP transition sump with 32" water-tight Bravo snap-lock lid; requires 2 of EP-S.1GAL; sold separately	57"	57"	60"

Single Wall Parts & Accessories

Part#	Description
EP-S.75	.75 gallon epoxy slurry kit; pour inside of collar attach point on Xerxes or CSI collars, item is non-returnable
EP-S1.0	1 gallon epoxy slurry kit; join top hat to base on SW; 1/two-piece sump, item is non-returnable

Double Wall

Part#	Description	A	B	C
B833-D36-01	Doublewall VPH FRP transition sump with 32" water-tight Bravo snap-lock lid	33"	33"	36"
B844-D48-01	Doublewall VPH FRP transition sump with 32" water-tight Bravo snap-lock lid	44"	44"	48"
B855-D60-01	Doublewall VPH FRP transition sump with 32" water-tight Bravo snap-lock lid	57"	57"	60"