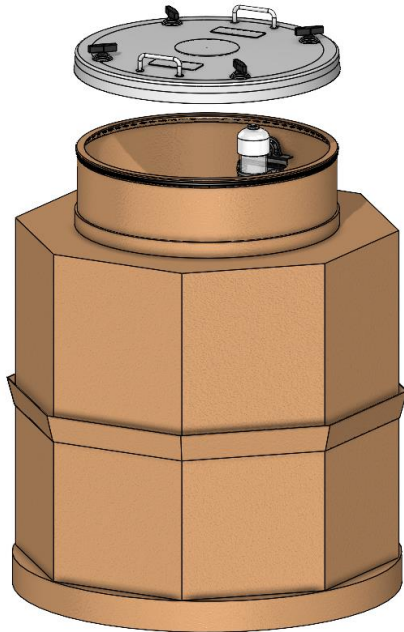




Collar Mount Double Wall Tank Sump

TANK SUMPS



Product Shown
B421-48-D-01

OVERVIEW:

The octagon-shaped Collar Mount Double Wall Tank Sump is ideally configured for piping laid out in 45- and 90-degree angles. It comes standard with a snap-lock lid with imbedded O-ring seal to make it watertight. There is a v-groove pour channel to join the two-piece containment sump eliminating the need for lamination. The pour channel allows communication between the base and the top-hat. The base of the sump can be applied to most industry standard 42- and 48-inch double wall tank collars. Sumps can be monitored by Vacuum, Liquid, and Dri interstitial monitoring.

SIZES:

- 42" or 48" diameter
- 32" or 36" Snap-Lock Lid

*See page 2 for dimensions drawing and chart

MATERIALS:

- Tank-grade fiberglass material allows our product to be exposed to fuels
- No secondary protective gel coat needed

SPECIFICATIONS:

- Two-piece configuration is height-adjustable
- Easy slurry pour channel to join the sump base and top-hat saves install time
- 30-year corrosion warranty
- UL2447 listed
- AB2481 compliant in CA
- Triennial testing exempt when constantly monitored

**Available in 39" lids. Please contact customer service for additional details.*

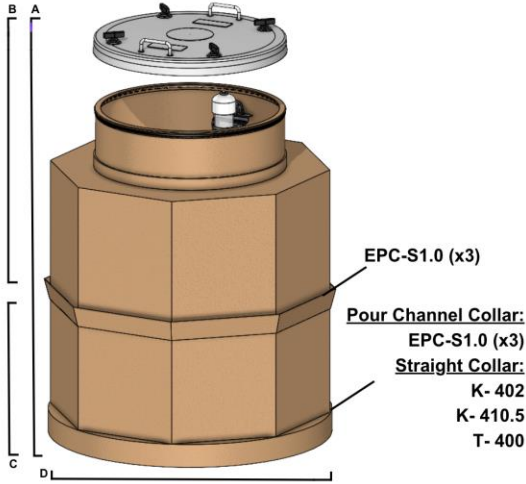
Innovative Solutions for Secondary Containment

800-282-7286 | www.sbravo.com



Collar Mount Double Wall Tank Sump

TANK SUMPS



Recommended Parts and Accessories

K-402	Fiberglass laminating kit for 1 interior and exterior joint. 2 gallons, 90" Fiberglass mat (Catalyst: (2) Summer / (4) Winter) (Non-Returnable)
K-401	Fiberglass laminating kit for 1 interior and exterior joint. 1 gallon, 45" Fiberglass mat (Catalyst: (2) Summer / (4) Winter) (Non-Returnable)
K-410.5	Paste kit for interior and exterior joint, smooth transitions for lamination, ½ gallon. (Non-Returnable)
EPC-S1.0	1 gallon epoxy slurry kit. (Non-Returnable)
T-400	FRP & Paint rollers and mixing bucket: fiberglass lam, tool kit, includes rollers

Additional Parts and Accessories

SH-TS	Tank Sump sensor holder kit.
VST-TS	Tank Sump Vapor Stimulator Tube for Dri-Sump leak detection/testing. Includes: clamps and two tubes.

42" Diameter, 42" Collar

Part # with 32" SL Lid	Part # with 36" SL Lid	Part # with 32" Twist-Lock Lid	Min	A	B	C	D
B421-42-D-01	B421-42-D-02	B421-42-D-50	30"	42"	26"	16"	42"
B421-48-D-01	B421-48-D-02	B421-48-D-50	36"	48"	26"	22"	42"
B421-60-D-01	B421-60-D-02	B421-60-D-50	40"	60"	38"	22"	42"
B421-72-D-01	B421-72-D-02	B421-72-D-50	40"	72"	50"	22"	42"
B421-84-D-01	B421-84-D-02	B421-84-D-50	40"	84"	62"	22"	42"

48" Diameter, 48" Collar

Part # with 32" SL Lid	Part # with 36" SL Lid	Part # with 32" Twist-Lock Lid	Min	A	B	C	D
B481-42-D-01	B481-42-D-02	B481-42-D-50	30"	42"	26"	16"	48"
B481-48-D-01	B481-48-D-02	B481-48-D-50	36"	48"	26"	22"	48"
B481-60-D-01	B481-60-D-02	B481-60-D-50	40"	60"	38"	22"	48"
B481-72-D-01	B481-72-D-02	B481-72-D-50	40"	72"	50"	22"	48"
B481-84-D-01	B481-84-D-02	B481-84-D-50	40"	84"	62"	22"	48"

48" Diameter, 42" Collar

Part # with 32" SL Lid	Part # with 36" SL Lid	Part # with 32" Twist-Lock Lid	Min	A	B	C	D
B487-42-D-01	B487-42-D-02	B487-42-D-50	30"	42"	26"	16"	42"
B487-48-D-01	B487-48-D-02	B487-48-D-50	36"	48"	26"	22"	42"
B487-60-D-01	B487-60-D-02	B487-60-D-50	40"	60"	38"	22"	42"
B487-72-D-01	B487-72-D-02	B487-72-D-50	40"	72"	50"	22"	42"
B487-84-D-01	B487-84-D-02	B487-84-D-50	40"	84"	62"	22"	42"

Innovative Solutions for Secondary Containment

800-282-7286 | www.sbravo.com