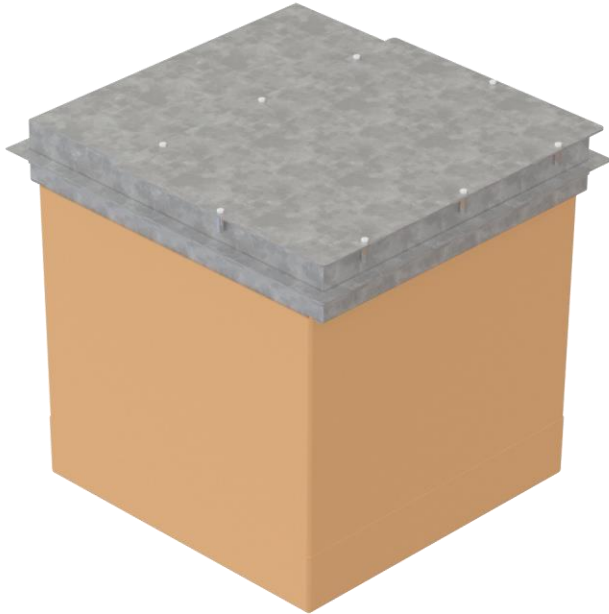




B900 Series

TRANSITION SUMP



OVERVIEW:

Bravo's B900 single wall and double wall Commercial Transition Sumps have a diamond plate walk-over cover at grade for full access to interior components. The separate AST fitting area allows opening the cover without disturbing the pipe entry fittings. Hot dipped galvanized metal work provides superior corrosion resistance. Quality FRP construction is compatible with all common motor fuels without the need for gel coat for fuel resistance.

SIZES:

- 33", 44", or 57" wide base

*See page 2 for dimensions drawing and chart

MATERIALS:

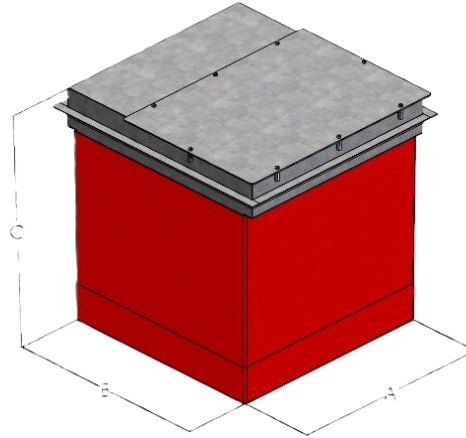
- Tank-grade fiberglass material allows our product to be exposed to fuels
- Epoxy coated galvanized steel

SPECIFICATIONS:

- Quality FRP construction, no need for gelcoat for chemical resistance
- Walk-over diamond plate cover
- Hot dipped galvanized frame
- Double wall construction can be monitored with vacuum or hydrostatically making it triennial testing exempt with continuous monitoring
- Ships under a continuous 20" Hg vacuum test

Innovative Solutions for Secondary Containment

800-282-7286 | www.sbravo.com



B900 Single Wall

Part #	Description	A	B	C
B933-S36	FRP transition sump with flush-mount walk-over diamond plate lid, galvanized frame	33"	33"	36"
B944-S48	FRP transition sump with flush-mount walk-over diamond plate lid, galvanized frame	44"	44"	48"
B955-S60	FRP transition sump with flush-mount walk-over diamond plate lid, galvanized frame, over-sized item does not qualify for free freight	57"	57"	60"

B900 Double Wall

Part #	Description	A	B	C
B933-D36	Doublewall VPH FRP transition sump with flush-mount walk-over diamond plate lid, galvanized frame	33"	33"	36"
B944-D48	Doublewall VPH FRP transition sump with flush-mount walk-over diamond plate lid, galvanized frame	44"	44"	48"
B955-D60	Doublewall VPH FRP transition sump with flush-mount walk-over diamond plate lid; galvanized frame, over-sized item does not qualify for free freight	57"	57"	60"

Custom Factory Installed Compression Fittings (requires additional lead time; additional costs may apply)

Part #	Description
VF-1	Custom Factory-installed pass-through AST entry for 1' and 3/4" pipe
VF-1-1/2	Custom Factory-installed pass-through AST entry for 1-1/2" pipe
VF-2	Custom Factory-installed pass-through AST entry for 2" pipe
VF-3	Custom Factory-installed pass-through AST entry for 3" pipe
VF-4	Custom Factory-installed pass-through AST entry for 4" pipe
VF-P	1-1/2" Omega Flex Vent fitting installed on a 4" nipple on the Field or Factory.
VF-O	1" Omega Flex fitting installed on a 4" nipple on the Field or Factory. 2" Clamp on fitting, Reducing bushing & threaded adapter.
VF-Q	2" Omega Flex fitting installed on a 6" nipple on the Field or Factory. 3" Clamp on fitting, Reducing bushing & threaded adapter.