



B500 Series

TRANSITION SUMP



OVERVIEW:

Bravo's B500 Series single wall and double wall transition sumps are compatible with all common motor fuels and can be ordered with standard AST fittings pre-installed. The fittings range from electrical offset (EO) to 3" compression pass-through AST fittings. This series comes standard with positive concrete anchoring and mounting points for optional rack system.

SIZES:

- Small 25.5"
- Large 41.5"

*See page 2 for dimensions drawing and chart

MATERIALS:

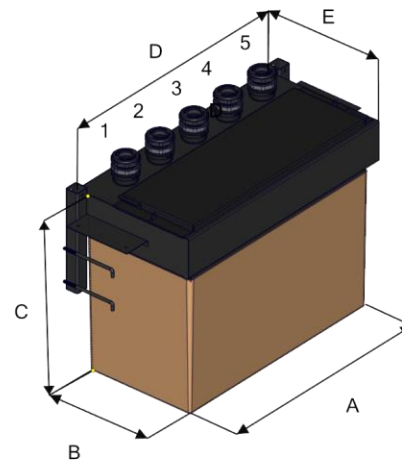
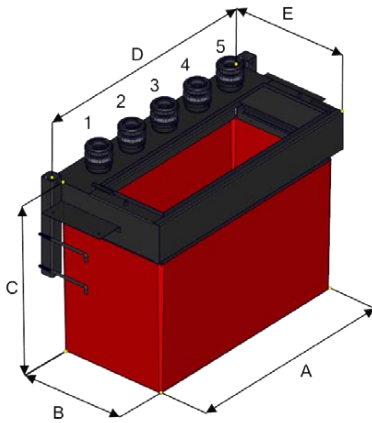
- Tank-grade fiberglass material allows our product to be exposed to fuels
- Epoxy coated galvanized steel

SPECIFICATIONS:

- Quality FRP construction, no need for gelcoat for chemical resistance
- "Planter" style raised lid to keep surface water out
- Accommodates up to 5 factory installed AST fittings depending on model
- Factory mounting points make a rack system installation simple
- Double wall construction can be monitored with vacuum or hydrostatically making it triennial testing exempt with continuous monitoring
- Ships under a continuous 20" Hg vacuum test

Innovative Solutions for Secondary Containment

800-282-7286 | www.sbravo.com



Planter-Style Single Wall

Part #	Description	Fitting size position 1	Fitting size position 2	Fitting size position 3	Fitting size position 4	Fitting size position 5	A	B	C
B501-S	Singlewall FRPvent / transition sump with-outAST fittings	NA	NA	NA	NA	NA	25.5"	20"	32"
B501-S-200	Singlewall FRPvent / transition sump with 1, 2" AST fitting	2"	NA	NA	NA	NA	25.5"	20"	32"
B501-S-220	Singlewall FRPvent / transition sump with 2, 2" AST fittings	2"	2"	NA	NA	NA	25.5"	20"	32"
B501-S-222	Singlewall FRPvent / transition sump with 3, 2" AST fittings	2"	2"	2"	NA	NA	25.5"	20"	32"
B503-S-22220	Singlewall FRPvent / transition sump with 4, 2" AST fittings	2"	2"	2"	2"	NA	41.5"	20"	32"
B503-S-22222	Singlewall FRPvent / transition sump with 5, 2" AST fittings	2"	2"	2"	2"	2"	41.5"	20"	32"

Planter-Style Double Wall

Part #	Description	Fitting size position 1	Fitting size position 2	Fitting size position 3	Fitting size position 4	Fitting size position 5	A	B	C
B501-D	Doublewall FRPvent / transition sump withoutAST fittings	NA	NA	NA	NA	NA	25.5"	20"	32"
B501-D-200	Doublewall FRPvent / transition sump with 1, 2" AST fitting	2"	NA	NA	NA	NA	25.5"	20"	32"
B501-D-220	Doublewall FRPvent / transition sump with 2, 2" AST fittings	2"	2"	NA	NA	NA	25.5"	20"	32"
B501-D-222	Doublewall FRPvent / transition sump with 3, 2" AST fittings	2"	2"	2"	NA	NA	25.5"	20"	32"
B503-D-22220	Doublewall FRPvent / transition sump with 4, 2" AST fittings	2"	2"	2"	2"	NA	41.5"	20"	32"
B503-D-22222	Doublewall FRPvent / transition sump with 5, 2" AST fittings	2"	2"	2"	2"	2"	41.5"	20"	32"