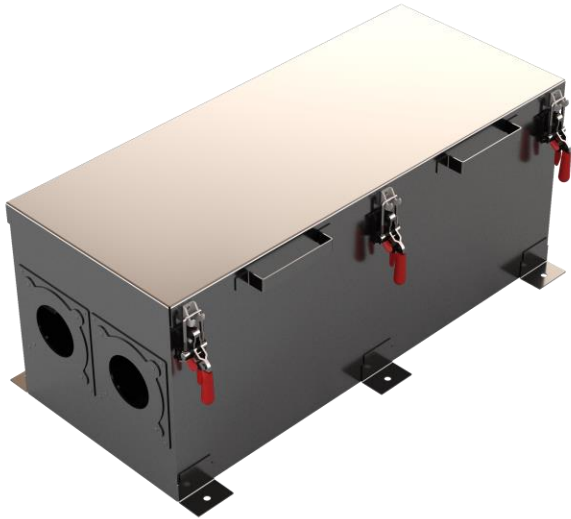




A500 Series

ABOVEGROUND



OVERVIEW:

Watertight, stainless steel transition sump. The A523 is designed to be installed on each dock section for seasonal and emergency disconnection of fuel lines. MFG per PEI Marina Best Practice RP-100. The A524 is designed for landside transition from rigid pipe to marina pipe. Includes mounting for breakaway and breakout panels for each pipe run. Complies with PEI Marina Best Practice RP-1000.

SIZES:

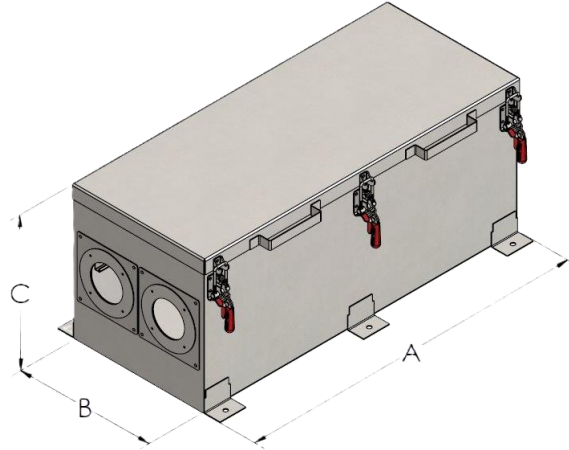
*See page 2 for dimensions drawing and chart

MATERIALS:

- Epoxy coated or stainless steel

SPECIFICATIONS:

- Contains leaks under dispenser
- Deck, pedestal, and flush mount options
- Breakaway and quick connect pipe boxes



Above Ground Transition Sump

Part #	Description	A	B	C
A524-20-3-01	20" wide stainless steel above ground transition box , hinged lid with pull latches lockable, gasket seal.	48 1/2"	20"	20 1/2"
A544-20-3-01	40" wide stainless steel above ground transition box , hinged lid with pull latches lockable, gasket seal.	48 1/2"	40"	20 1/2"

Above Ground Transition Sump - Dock Side

Part #	Description	A	B	C
A523-11-3-01	20" Wide stainless steel above ground dock side transition box. Allows for fuel disconnect/shut off.	36 1/2"	20"	11 1/2"
A543-11-3-01	40" wide stainless steel above ground dock side transition box. Allows for fuel disconnect/shut off.	36 1/2"	40"	11 1/2"

Above Ground Transition Sump - Breakaway Marina

Part #	Description	A	B	C
AB524-20-3-01	20" wide stainless steel above ground breakaway transition box, with gasketed hinged Lid. Includes breakout panels for each fuel line. Maximum of (2) 1.5" or 2" fuel lines.	48 1/2"	20"	20 1/2"
AB544-20-3-01	40" wide stainless steel above ground breakaway transition box, with gasketed hinged Lid. Includes breakout panels for each fuel line. Maximum of (4) 1.5" or 2" fuel lines.	48 1/2"	40"	20 1/2"