



B1000 Economy UDC

UDC SUMPS



Product Shown
B1380-E30

OVERVIEW:

One of the most cost competitive UDCs on the market, the B1000 Economy Series is an exclusive offer by Bravo that features electrical offsets on both ends of the UDC, providing flexible compatibility with modern station designs. The reduced metal work is galvanized while the splash lip is fiberglass, ensuring a distinct corrosion advantage over other designs.

SIZES:

- 28" width at base
- *See page 2 for dimensions drawing and chart

MATERIALS:

- Quality fiberglass material won't deform like polyethylene
- Galvanized steel

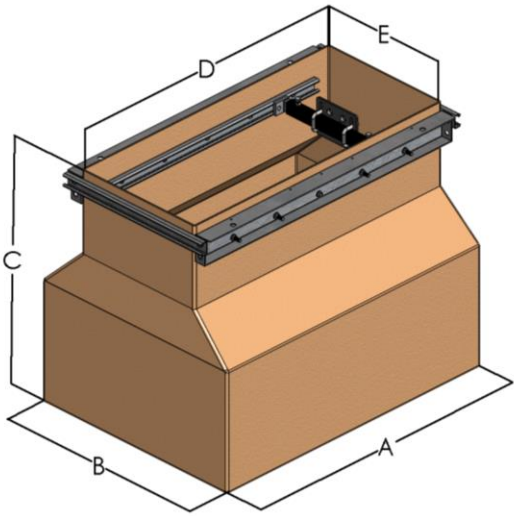
SPECIFICATIONS:

- 28" width offers more inside room for components
- Room for up to 10 conduits
- Pre-plumb options available
- 10-year corrosion warranty
- UL2447 listed



B1000 Economy UDC

UDC SUMPS



Parts and Accessories

BK-1017	Boss- mount bracket for B1000 and 17" wide stabilizer bar assembly with hardware. Encore / Helix Models
BK-1015	Boss- mount bracket for B1000 and 15" wide stabilizer bar assembly with hardware, Ovation, Advantage Narrow, Vista, Reliance, Pacific, Helix Narrow, Gasboy Atlas X.
BK-1011	Boss- mount bracket for B1000 and 11" wide stabilizer bar assembly with hardware. Gasboy Atlas & 3000 Bennett.
VST-UDC	VST, Vapor Stimulator Tube for UDC's, for Dri-Sump testing method, Clamp Included.
SH-UDC	UDC sensor holder kit.

Dispenser Model	Part #	A	B	C	D	E
Gilbarco Encore 300, 500, 700	B1380-E30	38.5"	28"	29.5"	37.5"	17"
Wayne Ovation (3+0) (3+1) up to 3 inlets	B1250-E30	37"	28"	29.5"	35"	14.75"
Wayne Ovation High-Speed Diesel/Ovation HL Series	B1254-E30	37"	28"	29.5"	35"	14.75"
Wayne Ovation High-Speed Diesel/Ovation HL/HS Series	B1242-E30	29"	28"	29.5"	27.5	14.75"
Wayne Helix Wide Frame	B1256-E30	38.5"	28"	29.5"	37.5"	17"
Wayne Helix Narrow Frame	B1242-E30	29"	28"	29.5"	27.5	14.75"
Wayne Reliance Select	B1210-E30	29"	28"	29.5"	27.5	14.75"
Bennett Pacific	B1411-E30	37"	28"	29.5"	35"	14.75"
Bennett 3000 Big Fueler	B1430-E30	19"	28"	29.5"	19"	11.5"
Gasboy Atlas X 9XXXG	B1678-E30	29"	28"	29.5"	24"	14.75"

Innovative Solutions for Secondary Containment

800-282-7286 | www.sbravo.com