



B1000 Single Wall UDC

UDC SUMPS



Product Shown
B1380-S30

OVERVIEW:

The Bravo B1000 Series, one of the most cost competitive UDCs on the market today, is constructed from fuel compatible fiberglass resin with no gel coat requirement and galvanized steel. The B1000 has unistrut on both ends that can hold up to 5 conduits per side.

SIZES:

- 28" width at base
- *See page 2 for dimensions drawing and chart

MATERIALS:

- Quality fiberglass material
- Galvanized steel

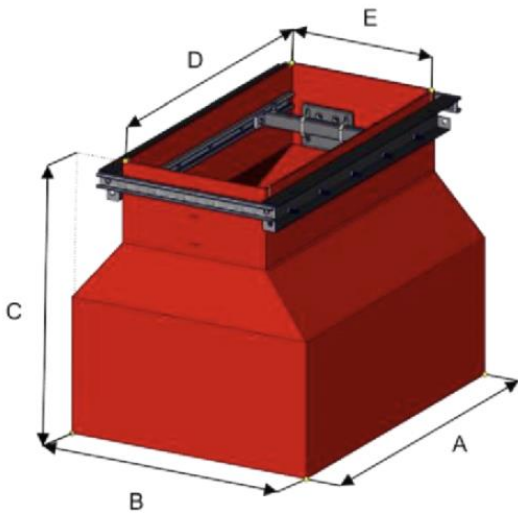
SPECIFICATIONS:

- Available for most modern dispensers
- 28" width offers more inside room for components
- Pre-plumb and pre-assembled options available
- 30-year corrosion warranty
- Fiberglass splash lip and minimized steel work provides corrosion advantage
- UL2447 listed



B1000 Single Wall UDC

UDC SUMPS



Parts and Accessories

BK-1017	Boss-mount bracket for B1000 and 17" wide stabilizer bar assembly with hardware. Encore/Helix wide models.
BK-1015	Boss-mount bracket for B1000 and 15" wide stabilizer bar assembly with hardware, Ovation, Advantage Narrow, Vista, Reliance, Pacific, Helix Narrow, Gasboy Atlas X.
BK-1011	Boss-mount bracket for B1000 and 11" wide stabilizer bar assembly with hardware. Gasboy Atlas & 3000 Bennett.
VST-UDC	VST, Vapor Stimulator Tube for UDC's, for Dri-Sump testing method, Clamp Included.
SH-UDC	UDC sensor holder kit.

Dispenser Model	Part #	A	B	C	D	E
Gilbarco Encore 300, 500, 700	B1380-S30	38.5"	28"	29.5"	37.5"	17"
Wayne Ovation (3+0) (3+1) up to 3 inlets	B1250-S30	37"	28"	29.5"	35"	14.75"
Wayne Ovation (3+1+1) up to 4 inlets	B1251-S30	37.5"	28"	29.5"	37"	14.75"
Wayne Ovation High-Speed Diesel/Ovation HL Series	B1256-S30	37"	28"	29.5"	35"	14.75"
Wayne Helix Narrow Frame	B1242-S30	29"	28"	29.5"	27.5	14.75"
Wayne Helix Wide Frame	B1254-S30	38.5"	28"	29.5"	37.5"	17"
Wayne Reliance Select	B1210-S30	29"	28"	29.5"	27.5	14.75"
Bennett Pacific	B1411-S30	37"	28"	29.5"	35"	14.75"
Bennett 3000 Big Fueler	B1430-S30	19"	28"	29.5"	19"	11.5"
Gasboy Atlas X 9XXXG	B1678-S30	29"	28"	29.5"	24"	14.75"

Innovative Solutions for Secondary Containment

800-282-7286 | www.sbravo.com