



# A9000 Series

ABOVEGROUND



## SIZES:

- 25.5" width at the base

\*See page 2 for dimensions drawing and chart

## MATERIALS:

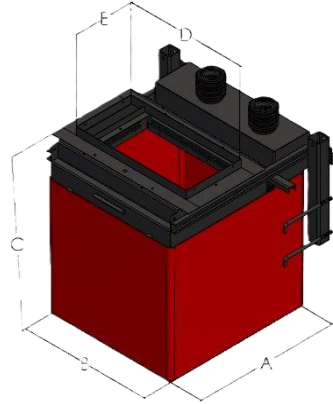
- Galvannealed steel and fiberglass

## OVERVIEW:

Bavo's A9000 Series combo dispenser transition sump combines a quality FRP UDC with a transition sump in one compact package. Ideal for AST applications where space is limited. The A9000 allows above ground pipe entry behind to the dispenser allowing drive up access to one fueling point on the dispenser. Includes factory installed AST fittings for simple installation. Fuel compatible resin doesn't require gel coat for chemical resistance and all metal work is epoxy coated galvanneal steel. Available in both single wall and double wall VPH configurations. Double wall models are California VPH compliant and triennial testing exempt.

## SPECIFICATIONS:

- UDC & transition sump in one
- Saves space in commercial AST applications
- Allows access to both fueling points on a dispenser
- Heavy gauge epoxy coated galvanneal steel metal work
- VPH models can be constantly monitored making them triennial testing exempt
- Double wall ships under 20" HG vacuum



### A9000 Single Wall

Dispenser Model	Part #	Description	A	B	C	D	E
Gasboy Atlas X (9XXXG)	A9678-S30-11	Side mount dispenser containment for Gasboy Atlas X with AST supply fitting, alternatively used as combination UDC / Vent Sump, 1 AST line (1-1/2" and or 2")	28"	25.5"	18"	26.5"	14"
Gasboy Atlas X (9XXXG)	A9678-S30-22	Side mount dispenser containment for Gasboy Atlas X with AST supply fitting, alternatively used as combination UDC / Vent Sump, 2 AST line (1-1/2" and or 2")	28"	25.5"	18"	26.5"	14"
Wayne Reliance Select	A9210-S30-11	Side mount dispenser containment for Reliance Select with AST supply fitting, alternatively used as combination UDC / Vent Sump, 1 AST line (1-1/2" and or 2")	28"	25.5"	18"	27.25"	15"
Wayne Reliance Select	A9210-S30-22	Side mount dispenser containment for Reliance Select with AST supply fitting, alternatively used as combination UDC / Vent Sump, 2 AST line (1-1/2" and or 2")	28"	25.5"	19"	27.25"	15"

### A9000 Double Wall

Dispenser Model	Part #	Description	A	B	C	D	E
Gasboy Atlas X (9XXXG)	A9678-D30-11	Doublewall VPH side mount dispenser containment for Gasboy Atlas X with AST supply fitting, alternatively used as combination UDC / Vent Sump, 1 AST line (1-1/2" and or 2")	28"	25.5"	18"	26.5"	14"
Gasboy Atlas X (9XXXG)	A9678-D30-22	Doublewall VPH side mount dispenser containment for Gasboy Atlas X with AST supply fitting, alternatively used as combination UDC / Vent Sump, 2 AST line (1-1/2" and or 2")	28"	25.5"	18"	26.5"	14"
Wayne Reliance	A9210-D30-11	Doublewall VPH side mount dispenser containment for Reliance Select with AST supply fitting, alternatively used as combination UDC / Vent Sump, 1 AST line (1-1/2" and or 2")	28"	25.5"	18"	27.25"	15"
Wayne Reliance Select	A9210-D30-22	Doublewall VPH side mount dispenser containment for Reliance Select with AST supply fitting, alternatively used as combination UDC / Vent Sump, 2 AST line (1-1/2" and or 2")	28"	25.5"	19"	27.25"	15"

Parts and Accessories	
BK-8000	Boss-Mount Bracket for B8000 & B9000 Series
BK-B2	Vapor Boss-Mount & U Bolt Mount Bracket for B8000 & B9000 Series (MC-12/20)
VF-1	Custom Factory-installed pass-through AST entry for 1" and 3/4" pipe
VF-2	Custom Factory-installed pass-through AST entry for 2" pipe
EBS	Rigid electrical bulkhead w/ES1 reducer for 1" & 3/4" conduit. Field Installed.