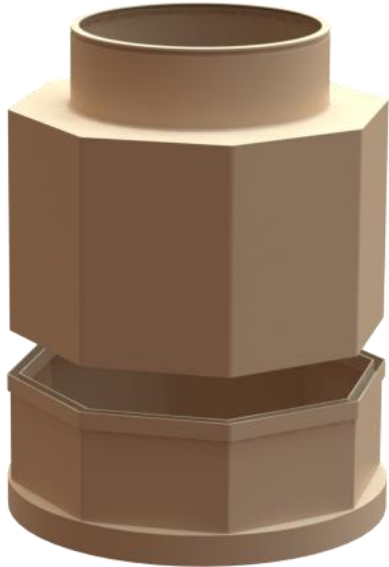




Collar Mount Double Wall Tank Sump No Lid/Fill Sump

TANK SUMPS



Product Shown
B421-48-D-00

SIZES:

- 42" or 48" diameter
- 32", 36", or 37" diameter reducer

*See page 2 for dimensions drawing and chart

MATERIALS:

- Tank-grade fiberglass material allows our product to be exposed to fuels
- No secondary protective gel coat needed

OVERVIEW:

The octagon-shaped Collar Mount Double Wall Tank Sump is ideally configured for piping laid out in 45- and 90-degree angles. It comes without a lid for use with 3rd party multiport manholes. There is a v-groove pour channel to join the two-piece containment sump eliminating the need for lamination. The pour channel allows communication between the base and the top-hat. The base of the sump can mount to most industry standard 42- and 48-inch double wall collars. When used in conjunction with a Bravo fill sump multiport cover, it can be used as a fill sump.

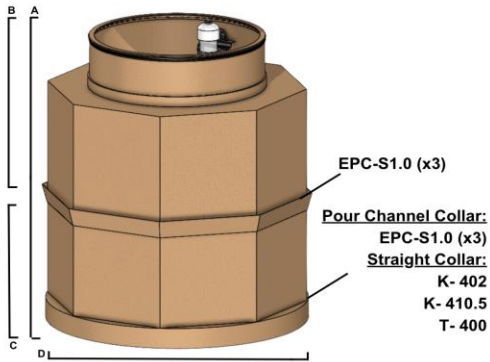
SPECIFICATIONS:

- Two-piece configuration is height-adjustable
- Easy slurry pour channel to join the sump base and top hat saves install time
- 30-year corrosion warranty
- UL2447 listed
- AB2481 compliant in CA
- Triennial testing exempt when constantly monitored



Collar Mount Double Wall Tank Sump No Lid/Fill Sump

TANK SUMPS



Recommended Parts and Accessories

K-402	Fiberglass laminating kit for 1 interior and exterior joint. 2 gallons, 90" Fiberglass mat (Catalyst: (2) Summer / (4) Winter) (Non-Returnable)
K-410.5	Paste kit for interior and exterior joint, smooth transitions for lamination, ½ gallon. (Non-Returnable)
EPC-S1.0	1 gallon epoxy slurry kit. (Non-Returnable)
T-400	FRP & Paint rollers and mixing bucket: fiberglass lam, tool kit, includes rollers

Additional Parts and Accessories

SH-TS	Tank Sump sensor holder kit.
VST-TS	Tank Sump Vapor Stimulator Tube for Dri-Sump leak detection/testing. Includes: clamps and two tubes.

42" Diameter, 42" Collar

Part # 32" Reducer with No Lid	Part # 36" Reducer with No Lid	Min	A	B	C	D
B421-48-D-00	B421-48-D-20	36"	48"	26"	22"	42"
B421-60-D-00	B421-60-D-20	40"	60"	38"	22"	42"
B421-72-D-00	B421-72-D-20	40"	72"	50"	22"	42"
B421-84-D-00	B421-84-D-20	40"	84"	62"	22"	42"

48" Diameter, 48" Collar

Part # 32" Reducer with No Lid	Part # 36" Reducer with No Lid	Min	A	B	C	D
B481-48-D-00	B481-48-D-20	36"	48"	26"	22"	48"
B481-60-D-00	B481-60-D-20	40"	60"	38"	22"	48"
B481-72-D-00	B481-72-D-20	40"	72"	50"	22"	48"
B481-84-D-00	B481-84-D-20	40"	84"	62"	22"	48"

48" Diameter, 42" Collar

Part # 32" Reducer with No Lid	Part # 36" Reducer with No Lid	Min	A	B	C	D
B487-48-D-00	B487-48-D-20	36"	48"	26"	22"	42"
B487-60-D-00	B487-60-D-20	40"	60"	38"	22"	42"
B487-72-D-00	B487-72-D-20	40"	72"	50"	22"	42"
B487-84-D-00	B487-84-D-20	40"	84"	62"	22"	42"

Innovative Solutions for Secondary Containment

800-282-7286 | www.sbravo.com



Collar Mount Double Wall Tank Sump No Lid/Fill Sump

TANK SUMPS



Multiport Covers (order sump with no lid plus multiport cover as a separate line item)

Bucket Configuration	Reducer Size	Part #	Snap-Lock	Latch
OPW Diesel 36" Multiport Cover for OPW or EMCO-Wheaton single bucket spill containment 8" offset (COPWDS-37)	36"	LF-15		X
OPW Diesel -32" Multiport cover for OPW or EMCO-Wheaton single bucket spill containment 8" offspring (COPWDS-33)	32"	LF-09		X
OPW Dual Buckets 32" Multiport cover for OPW or EMCO-Wheaton double bucket spill containment 16" on center (COPWS-37)	32"	LF-08		X
OPW Dual Buckets 36" Multiport cover for OPW or EMCO-Wheaton double bucket spill containment 16" on center (COPWS-33)	36"	LF-14		X
Fiberlite only Multiport Fill, Snap-Lock 36", -(1-15" ring 8" left, 1-15" ring right -16" on center) test port to match Fiberlite	36"	LF-24	X	
Fiberlite only Multiport fill, Snap-Lock 36" (1-15" ring 8" left) test port to match Fiberlite	36"	LF-25	X	
Fiberlite only Multiport fill, Snap-Lock 36" (1-15" ring 8" left) test port to match Fiberlite.	36"	LF-26	X	
32" Multiport Cover for Phil-Tite dual bucket spill containment 16" on center (CPTS-33)	32"	LF-06		X
Phil-Tite Diesel -32" Multiport cover for Phil-Tite single bucket spill containment 8" offset. (CPTDS-33)	32"	LF-07		X