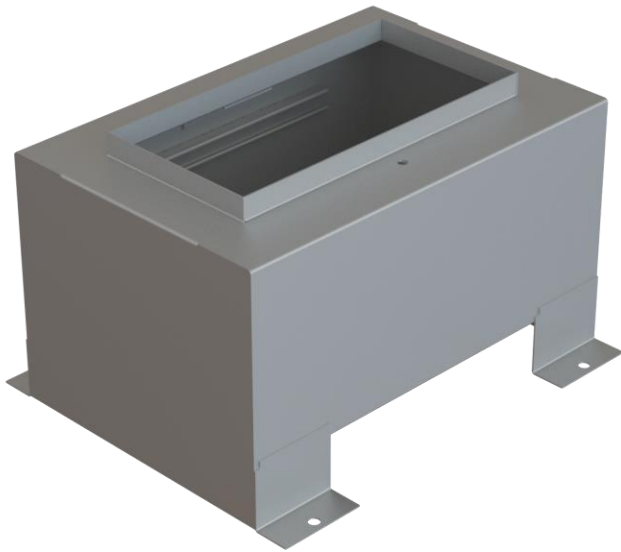




A6000 Series

ABOVEGROUND



SIZES:

- 20" width at the base
- 31" width at the base

*See page 2 for dimensions drawing and chart

MATERIALS:

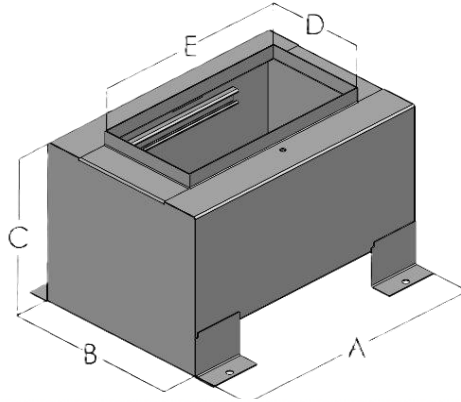
- Epoxy coated galvanized steel with an option of full stainless steel

OVERVIEW:

Constructed of epoxy coated galvanized steel with an option for full stainless, Bravo's ADC series is designed to contain shear valves and provide dispenser containment on above ground fueling sites and marinas.

SPECIFICATIONS:

- Accommodates all types of mechanical and electric shut-down devices
- Options available for mechanical float trip mechanisms
- Flush mount option available



Epoxy Coated Galvannealed Steel Without Sensor Cup

Dispenser Model	Part #	Description	A	B	C	D	E
Wayne Reliance Select	A6210-1	Pedestal-mount for Reliance Select above-ground dispenser sump epoxy galvanized steel	36"	20"	14.5"	14.75"	26.75"
Bennet 3000 Series	A6430-1	Pedestal-mount for Bennett 3000 above-ground dispenser sump epoxy galvanized steel	30"	20"	14.5"	12"	23"
Gasboy Atlas X (9XXXG)	A6678-1	Pedestal-mount for Atlas-X Series AST above-ground dispenser sump epoxy galvanized steel	36"	20"	14.5"	14"	26.5"
PMC510 Meter Hose Reel	A6951-1	Pedestal-mount PMC510 above-ground dispenser sump epoxy galvanize steel	31"	31"	14.5"	23"	25.5"
PMC Commander	A6926-1	Pedestal-mount for PMC CMDR above-ground dispenser sump epoxy galvanized steel. Call Factory.	29"	20"	14.5"	12"	21.5"

Stainless Steel Without Sensor Cup

Dispenser Model	Part #	Description	A	B	C	D	E
Wayne Reliance Select	A6210-3	Pedestal-mount for Reliance Select above-ground dispenser sump epoxy galvanized steel	36"	20"	14.5"	14.75"	26.75"
Bennet 3000 Series	A6430-3	Pedestal-mount for Bennett 3000 above-ground dispenser sump epoxy galvanized steel	30"	20"	14.5"	12"	23"
Gasboy Atlas X (9XXXG)	A6678-3	Pedestal-mount for Atlas-X Series AST above-ground dispenser sump epoxy galvanized steel	36"	20"	14.5"	14"	26.5"
PMC510 Meter Hose Reel	A6951-3	Pedestal-mount PMC510 above-ground dispenser sump epoxy galvanize steel	31"	31"	14.5"	23"	25.5"
PMC Commander	A6926-3	Pedestal-mount for PMC CMDR above-ground dispenser sump epoxy galvanized steel.	29"	20"	14.5"	12"	21.5"

Parts and Accessories	
BK-A6000	Boss-Mount Bracket for product valves
BK-A6000-3	Boss-Mount Bracket for product valves; stainless steel
B-33-3-2-1½	Flexible 3", 2" and 1½" combination fitting; includes BR-2x1-1½" insert
EBS	Rigid electrical bulkhead, with ES1 reducer for 1" & ¾" conduit
B-17	¾", 1" galvanized conduit, single-sided flexible entry boot
BK-A6664	Boss-mount bracket for product valves EBW 664 Valve.
BK-A6052	Boss-mount bracket for product valves Gasboy and Tokheim 52 Valve.