



B9000 Single Wall UDC

UDC SUMPS



Product Shown
B9380-S36

SIZES:

- 28" width at base
- *See page 2 for dimensions drawing and chart

MATERIALS:

- Tank-grade fiberglass material allows our product to be exposed to fuel
- Epoxy coated galvanized steel

OVERVIEW:

Compatible with all current motor fuels including renewable and biofuels, the B9000 Series Single Wall UDCs can be sized and tailored to any dispenser model. All metal work is galvanized and epoxy coated for superior corrosion resistance. Designed with a removable upper frame.

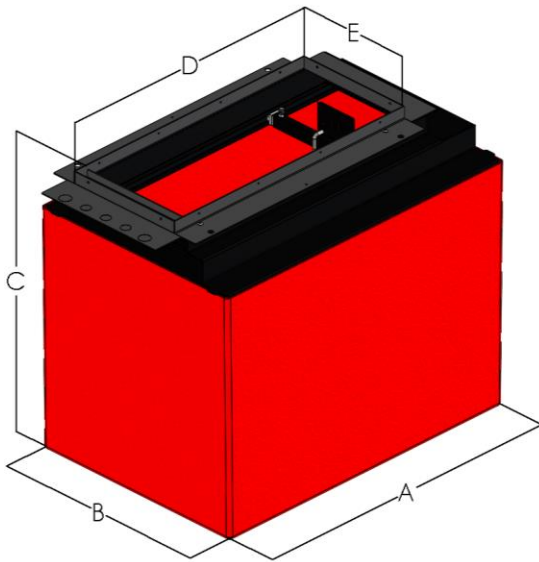
SPECIFICATIONS:

- Larger size and roomy interior are compatible with all piping layouts, including series
- Sized and tailored to most dispenser models
- Electrical offset frame eliminates the need for conduit penetrations
- 30-year corrosion warranty
- UL2447 listed



B9000 Single Wall UDC

UDC SUMPS



Parts and Accessories

BK-8000	Boss-Mount Bracket for B8000 & B9000 series
BK-B2	Vapor Boss-Mount Bracket & U-Bolt Mount Bracket for B8000 & B9000 Series.
VST-UDC	VST, Vapor Stimulator Tube for UDC's, for Dri-Sump testing method, Clamp Included.

Dispenser Model	Part #	A	B	C	D	E
Gilbarco Encore 300, 500, 700	B9380-S30	41"	28"	35.5"	36"	15.25"
Wayne Ovation (3+0) (3+1) up to 3 inlets	B9250-S30	41"	28"	35.5"	40.5"	14.75"
Wayne Helix Wide Frame	B9256-S30	41"	28"	35.5"	40"	15"
Wayne Helix Narrow Frame	B9242-S30	29"	28"	35.5"	28.5"	14.75"
Wayne Ovation High-Speed Diesel/Ovation HL/HS Series	B9254-S30	41"	28"	35.5"	40.5"	14.75"
Wayne Reliance Select	B9210-S30	29"	28"	35.5"	27.25"	15"
Gasboy Atlas X 9XXXG (Dispenser)	B9678-S36	29"	28"	36"	26.5"	14"
Bennett 3000 Big Fueler	B9430-S30	25.5"	28"	35.5"	23"	12.25"

Innovative Solutions for Secondary Containment

800-282-7286 | www.sbravo.com