

# S. BRAVO SYSTEMS, INC

## **B-27 & EBS FITTINGS**

### INSTALLATION INSTRUCTIONS



B-27



EBS

## **IMPORTANT!**

**READ THESE INSTRUCTIONS • KEEP FOR FUTURE REFERENCE!**

### *NOTICE*

- *Adhere to all directions and warnings indicated on the product or contained in these instructions.*
- *The containment box should be installed only by a qualified contractor.*
- *Warranty is void if there is any evidence of modification, abuse, negligence or improper installation.*
- *For assistance please call Bravo for technical support at (800) 28-BRAVO. Outside the U.S.A. please call (714) 739-9686.*

***SAFETY FIRST! S. Bravo Systems, Inc. urges you to carefully adhere to the normal safety procedures and precautions followed by your company. Please follow the mandates and compliances decreed by local and federal regulations regarding the use of this product.***

### WARRANTY

All containment systems sold by S. Bravo Systems, Inc. are warranted to be free from defects in material and workmanship for a period of one year from date of purchase. This warranty will be limited to the repair and replacement of parts only and will exclude all claims for labor or consequential damage. No other express warranties given and no affirmation of S. Bravo Systems, Inc., or its agents and/or representatives, by words or action, will constitute a warranty. **IT IS EXPRESSLY AGREED THAT THIS WARRANTY WILL BE IN LIEU OF ALL WARRANTIES OF FITNESS AND IN LIEU OF THE WARRANTY OF MERCHANTABILITY.**

This warranty is void if there is any evidence of modification, abuse, negligence, or improper installation. If any fittings or components, other than S. Bravo Systems approved fittings or components, are used in conjunction with any S. Bravo Systems product, the warranty pertaining to these products is immediately void.



S. Bravo Systems, Inc.  
2929 Vail Ave. • Commerce, CA 90040  
(323) 888-4133 • FAX: (323) 888-4123  
E-mail: [info@sbravo.com](mailto:info@sbravo.com) • [www.sbravo.com](http://www.sbravo.com)



# B-27 & EBS FITTINGS INSTALLATION

NOTE: all surfaces should be as clean as possible prior to tightening any bulkhead fittings into place.

## VAPOR RECOVERY PENETRATION FITTINGS INSTALLATION

NOTE: containment boxes are marked "A" for junction box side; refer to dispenser manufacturer's manual for appropriate vapor position.

1. On the bottom, inside the B-2000 box, locate the position of the vapor recovery line.
2. A 2-3/8" diam hole size is required for the B-27-SET-3 fitting. Cut the hole using appropriate tool. **CAUTION: make sure that there is adequate space for tightening the B-27-SET-3 fitting. Always follow proper safety procedures when cutting into steel.**
3. Clean the hole of sharp edges using round files. Remove locking nut and one gasket from fitting. Insert fitting flush with exterior of containment box.
4. Insert a gasket and a washer from the inside of the box until these are flush to the bottom of the box. Fasten the nut to the fitting. NOTE: The B-27 SET-3 fitting has a 3" secondary hose termination adapter. Rigid piping may be used for primary and secondary line connections. The B-27 SET-4 fitting has a 3" female threaded adapter for secondary rigid piping. Consult factory

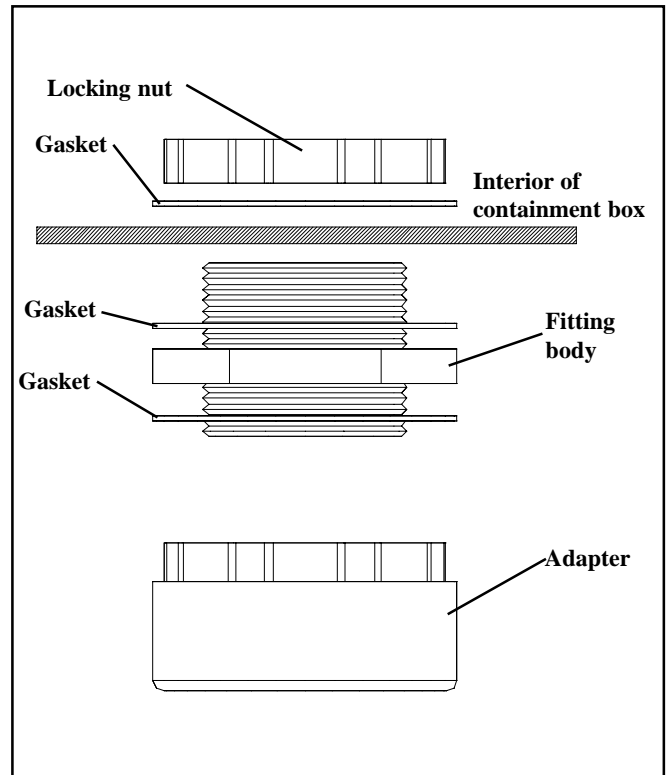
## ELECTRICAL PENETRATION FITTINGS INSTALLATION

**IMPORTANT:** electrical fittings are used to provide a continuous run to the electrical seal off. Containment boxes are marked "A" for junction box side; refer to dispenser manufacturer's manual for junction box position.

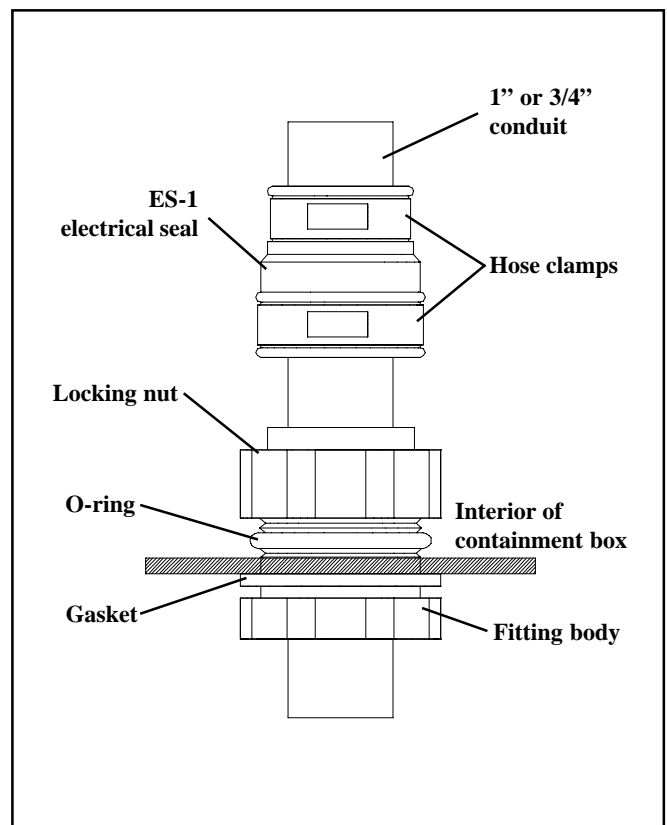
NOTE: electrical fittings such as Bravo's EBS fittings, are available for 1" and 3/4" conduit. For further information, consult your Bravo distributor.

1. On the bottom, inside the B-2000 Box, locate the position of the conduit.  
**CAUTION: make sure that there is adequate space for tightening the EBS fitting. Always follow proper safety procedures when cutting into steel.**
2. A 2" diam hole size is required for the EBS fitting. Cut the hole using an appropriate tool.
3. Clean the hole of sharp edges using round files. Remove electrical seal, locking nut and o-ring gasket from fitting. Insert fitting flush with exterior of containment box.
4. Insert o-ring gasket and a locking nut from the interior of the box until the fitting is flush to containment box. Fasten the nut onto the fitting.
5. Pass the electrical conduit through the EBS. Hose clamp the ES-1 to the EBS body and conduit.

## VAPOR RECOVERY FITTING (B-27-SET-3)



## ELECTRICAL BULKHEAD SEAL (EBS-ES-1)



# S. Bravo Systems, Inc. Limited Warranty

S. Bravo Systems, Inc. ("Bravo") warrants to the original purchaser (the "Original Owner") that all containment systems sold by Bravo to Original Owner (the "Product"), when properly installed by a Bravo certified installer (the "Installer"), and maintained in strict compliance with Bravo's published instruction guidelines, shall be free from defects in material and workmanship for a period of one (1) year from the date of purchase (the "Warranty Period"). In the event of defect in material and/or workmanship of the Product during the Warranty Period, this warranty shall be limited to the repair and/or replacement, which shall be determined in Bravo's absolute and sole discretion, of the Product only and shall exclude all claims for labor or consequential damage in connection with such corrective measures.

This limited warranty shall not be applicable if installation, and replacement installation if needed, of the Product is performed by any installer other than a certified installer, in writing, by Bravo, or the Product is used in conjunction with any fittings or components not previously approved, in writing, by Bravo.

This limited warranty shall not be applicable to any defects in material and/or workmanship of the Product caused by (1) the intentional or negligent acts of the Original Owner, the Installer, or by any third party including, but not limited to, any modification and/or abuse of the Product, improper installation of the Product, failure to comply with Bravo's maintenance or installation guidelines for the Product, or (2) any condition not within Bravo's control including, but not limited to, any Act of God, fire, natural events, disasters, calamities, or occurrence.

If any fittings or components other than Bravo approved fittings or components are used in conjunction with any Bravo product, the warranty pertaining to these products is immediately void.

This limited warranty may not be modified without Bravo's prior written approval. If any provision of this limited warranty is held invalid or unenforceable, in whole or in part, the remaining portions of this limited warranty shall be severable and remain in effect.

No agent, independent contractor, employee, or representative of Bravo, including any certified Installer (collectively, "Bravo Representative"), has any authority to bind Bravo to any affirmation, representation, guarantee or warranty concerning the products sold under this limited warranty, and unless an affirmation, representation, guarantee, or warranty made by a Bravo Representative is specifically included within this limited warranty, it will not be enforceable by the Original Owner.

This limited warranty is made and entered into in the State of California, and shall in all respects be interpreted, enforced and governed under the law of said state. This limited warranty shall supersede all prior communications, either written or oral, and all previous agreements, if any, between the parties with respect to any subject matter hereof, and shall set forth the complete understanding of the parties with respect thereto.

**IT IS EXPRESSLY AGREED THAT THIS LIMITED WARRANTY WILL BE IN LIEU OF ALL WARRANTIES WHETHER WRITTEN, ORAL, EXPRESS OR IMPLIED, INCLUDING ANY IMPLIED WARRANTY OF MERCHANTABILITY OR OF FITNESS FOR A PARTICULAR PURPOSE AND ALL OTHER OBLIGATIONS AND LIABILITIES ON THE PART OF BRAVO.** The foregoing shall constitute Bravo's sole liability to the Original Owner and under no circumstances shall Bravo be responsible for any special, incidental, or consequential damages.