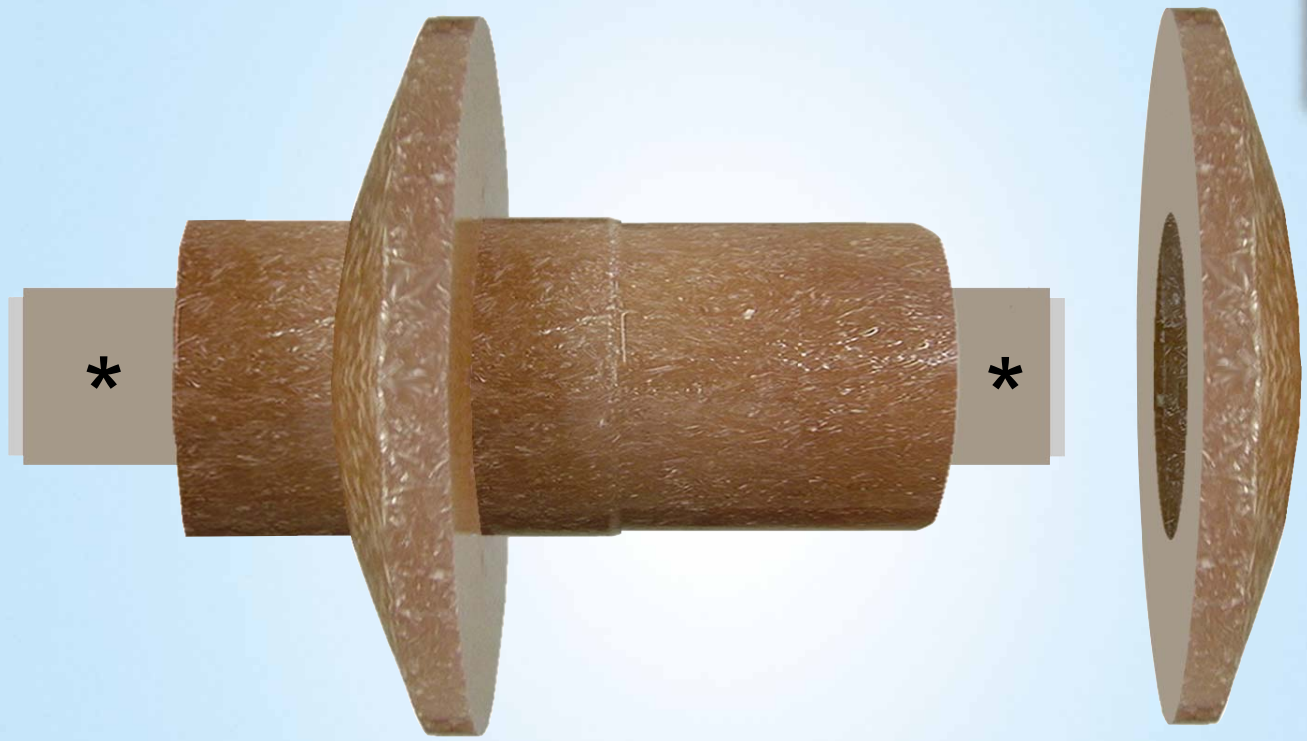




F-SERIES ELECTRICAL FRP FITTING
FOR BRAVO DOUBLEWALL TANK SUMPS
F-17-SS-D, F-10-SS-D, F-17-RR-D, F-10-RR-D
DOUBLEWALL RIGID FIBERGLASS ELECTRICAL FITTING

**THE ELECTRICAL FITTING YOU'VE
 BEEN WAITING FOR !**



FIRST EVER FRP ELECTRICAL FITTING!

NO
 -Plastic
 -Rubber
 -Clamps
 -Sealant
 -Nuts
 -Bolts

PRODUCT SPECS:

Material UL Fiberglass

PART #	Diameter	Weight	Diameter	Length	Allowed Conduit Type
F-17-SS-D:	3/4"	3 lbs	5"	5.25"	Hot-dip Galvanized
F-10-SS-D:	1"	3 lbs	5"	5.25"	Hot-dip Galvanized
F-17-RR-D:	3/4"	3 lbs	5"	5.25	"RobRoy™ PVC-Coated
F-10-RR-D:	1"	3 lbs	5"	5.25	"RobRoy™ PVC-Coated

AB-2481 Compliant

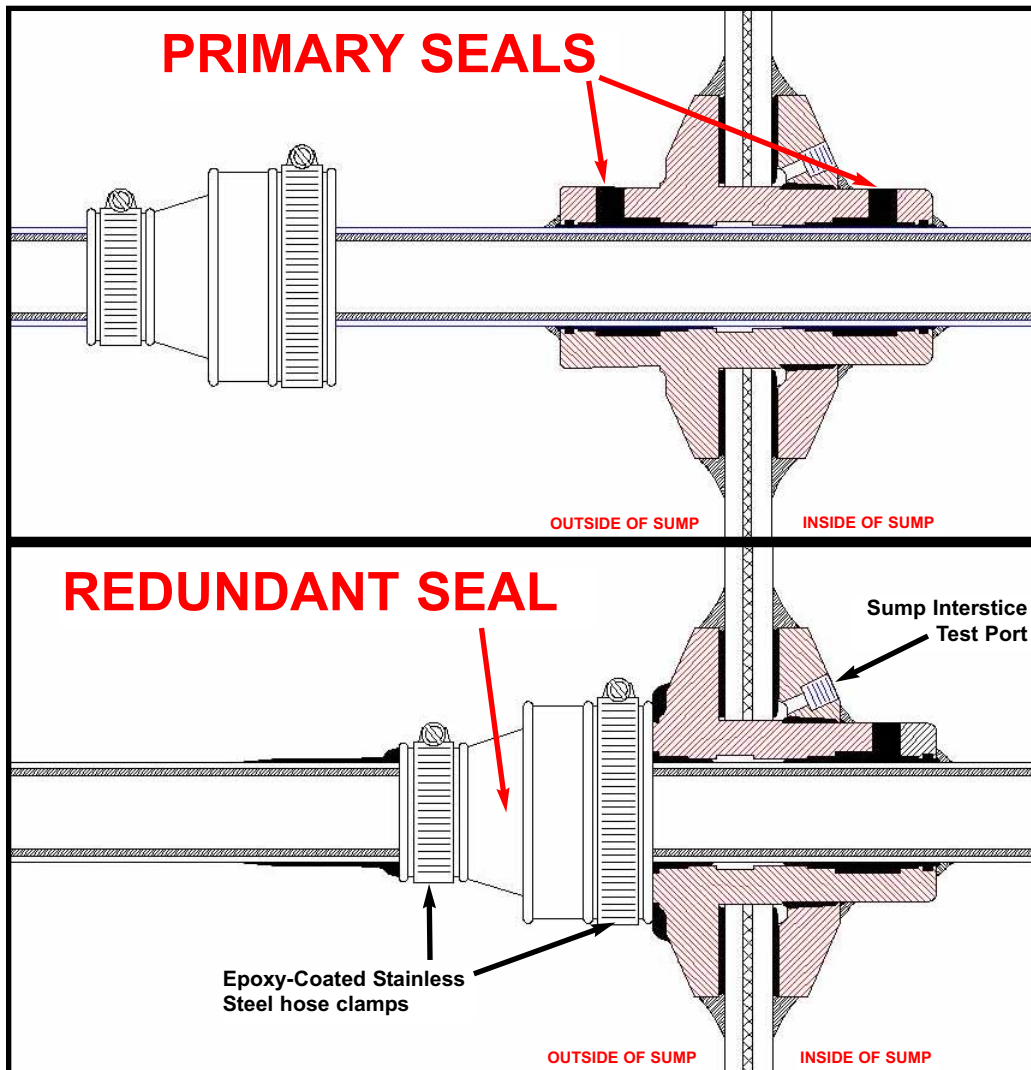


* ROBOY™ BRAND PVC-COATED CONDUIT (F-1X-RR) OR GALVANIZED CONDUIT (F-1X-SS) ONLY
 "BRINE SUMPS" (SODIUM CHLORIDE SOLUTION) MUST USE (F-1X-RR) AND RobRoy™ BRAND PVC-COATED CONDUIT

F-SERIES ELECTRICAL

THE FITTING YOU'VE BEEN WAITING FOR

The obvious benefit of this setup drastically reduces the number of tees, elbows, clamshells, glued joints, crossovers and fittings compared to manifold-type installations.



After conduit or galvanized conduit is installed with adhesive injection, a provided boot is filled with adhesive, along with an application to the fitting and conduit itself.

The boot is then slid over the fitting on the exterior of sump and secured in place with epoxy-coated SS hose clamps. Adhesive is beaded around the bleed points to ensure a proper seal.

This is a redundant seal for the exterior.

MANDATORY TOOLS FOR INSTALLATION: Consult Installation Instruction Manual

- T-FS-10-CLAMP Clamping Tool
- T-FS-SAND-GUN Sanding Gun (5/8")
- T-FS-SAND-KIT Modular Steel disc set for fittings



SAFETY FIRST! S. Bravo Systems, Inc. urges you to carefully adhere to the normal safety procedures and precautions recommended by your company. Please follow the mandates and compliances decreed by local and federal regulations regarding the use of this product.

323/888-4133

Patents Pending

S. BRAVO SYSTEMS, INC - 2929 Vail Avenue - Commerce - CA - 90040
 Fax: 323/888-4123 - E-mail: info@sbravo.com - www.SBravo.com



FS-1X-D 6-30B