

INSTALLATION INSTRUCTIONS

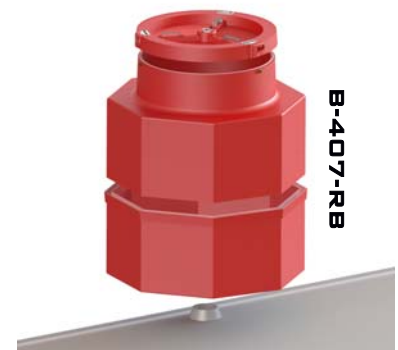
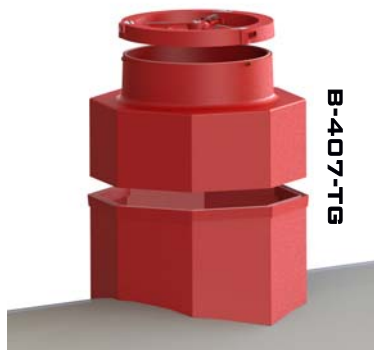
RC-SERIES **SNAP-LOCK** RETROFIT

FOR FIBERGLASS CONTAINMENT SUMPS



NOT FOR
Bravo-brand
DoubleWall
tank sumps

Water-Tight upgrade for most SingleWall & DoubleWall Tank Sumps.



INCLUDED

- 1x SNAP-LOCK COVER
- 1x RETROFIT REDUCER W/ VERTICAL O-RING
- 1x FIBERGLASS LAMINATION KIT (1 GAL)
- 1x FIBERGLASS PASTE KIT (1/2 GAL)
- 4x STAINLESS STEEL TEK SCREWS

NOT INCLUDED

- 1x FRP-TOOL-KIT-400
(ONE PER JOBSITE RECOMMENDED)

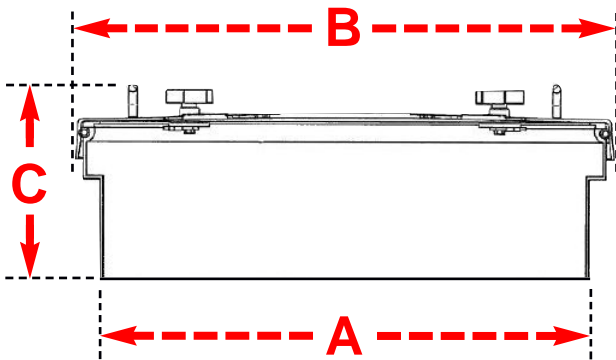
ii-RC-SNAPLOCK-RETROFIT-14B

MANDATORY

All Bravo products MUST be installed by a **Bravo Certified Installer**. Get Certified at www.sbravo.com/cert

TABLE OF CONTENTS

A) Evaluation & measuring diameters.....	p. 3
B) Dry fit & measuring vertical clearances.....	p. 3
C) Cutting of existing and/or retrofit reducer as required.....	p. 3
D) Abrading lamination surfaces.....	p. 4
E) Securing retrofit reducer in place with Tek-screws.....	p. 4
F) Laminating retrofit reducer to existing reducer.....	p. 5-6



Consult Datasheet for various models and PDF CAD pack for dimensions / permitting.

www.sbravo.com/slretro

NOTICE

By installing this product, you agree to the warranty terms found at : www.sbravo.com/warranty

SAFETY FIRST! S. Bravo Systems, Inc. urges you to carefully adhere to the normal safety procedures and precautions followed by your company. Please follow the mandates and compliances decreed by OSHA, local, State and federal regulations regarding the use of this product.

LIMITED WARRANTY

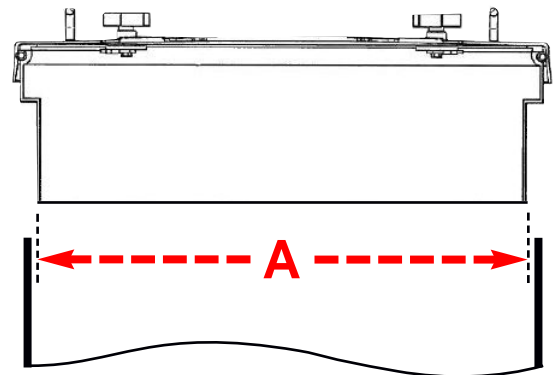
All containment systems sold by S. Bravo Systems, Inc. are warranted to be free from defects in material and workmanship for a period of one year from date of purchase. This warranty will be limited to the repair and replacement of Bravo parts only and will exclude all claims for labor or consequential damage. No other express warranties given and no affirmation of S. Bravo Systems, Inc., or its agents and/or representatives, by words or action, will constitute a warranty. IT IS EXPRESSLY AGREED THAT THIS WARRANTY WILL BE IN LIEU OF ALL WARRANTIES OF FITNESS AND IN LIEU OF THE WARRANTY OF MERCHANTABILITY.

This warranty is void if there is any evidence of modification, abuse, negligence, or improper installation. If any fittings or components, other than S. Bravo Systems approved fittings or components, are used in conjunction with any S. Bravo Systems product, the warranty pertaining to these products is immediately void.

1) PRE-ORDER EVALUATION / MEASURING

Evaluate the tank and/or transition sumps and measure the I.D. of the manway opening and the I.D. of the existing reducer. The model which the O.D. (A) matches the I.D. of the existing reducer should be used.

Consult the price sheet or Page 2 for selecting the best size to fit your existing tank sump reducers.

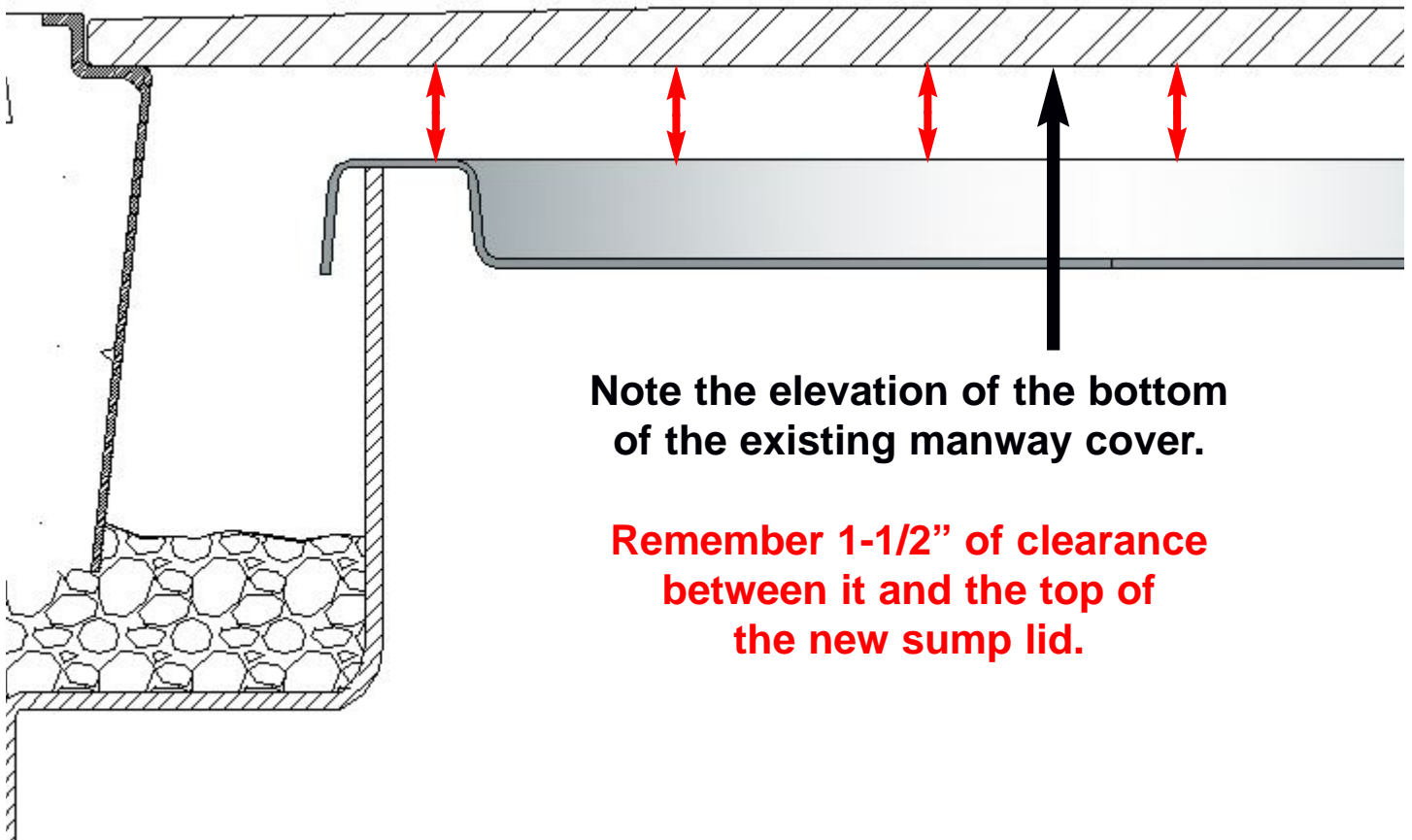


Existing sump reducer

2) Clearances

During all measuring, ensure that you plan for a minimum clearance of 1-1/2" from the very top of the Bravo SNAP-LOCK retrofit cover (fully assembled) to the bottom of the existing manway cover.

Dry fit the retrofit reducer into the existing tank sump reducer and ensure it fits INSIDE without issues.



Note the elevation of the bottom of the existing manway cover.

Remember 1-1/2" of clearance between it and the top of the new sump lid.

3) Trimming and lamination areas

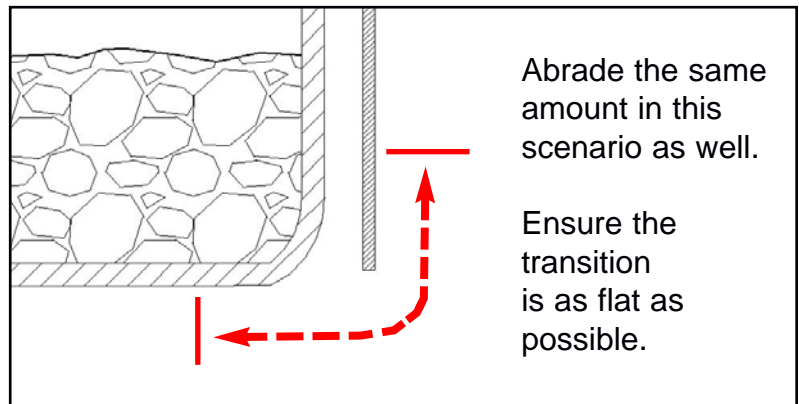
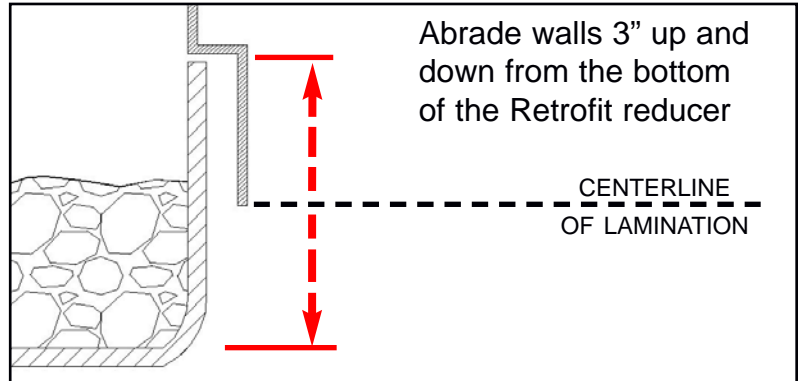
You may need to trim down one or both of:

- > The existing tank sump reducer
- or
- > The bottom edge of the Retrofit Reducer

The goal is to have a smooth 6" of lamination area. You will be laminating over the seam and over the tek screws.

NOTE: DO NOT TRIM TOP EDGE OF DOUBLEWALL TANK SUMP REDUCER UNLESS AUTHORIZED BY MFG.

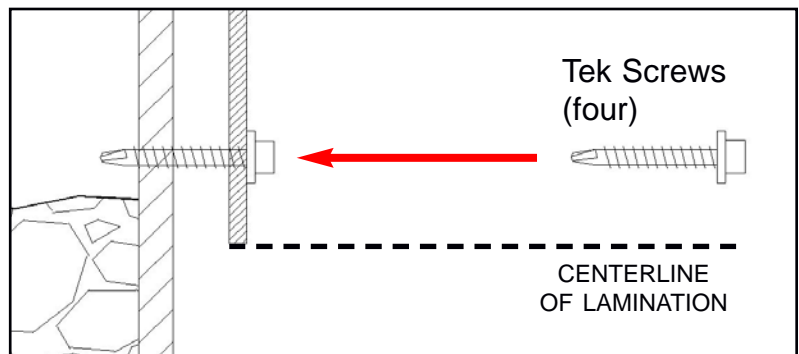
In this image the sump reducer was trimmed down. Even though the bottom edge of the Retrofit Reducer is close to the underside of the sump shoulder, this is fine. You can still laminate across this radius. Proceed to step 4.



4) Leveling and Securing Retrofit Reducer

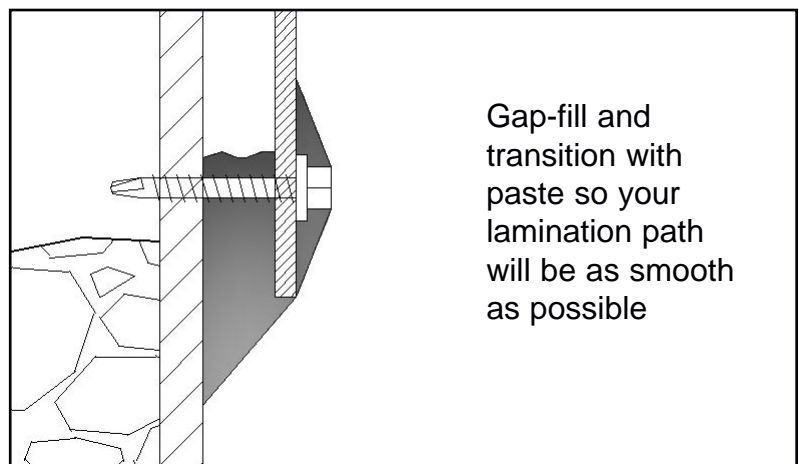
With the interior walls of both reducers properly abraded, secure the Retrofit reducer at the correct elevation (**Remember that clearance on page 3**) by using standard tek screws about 1" up from the bottom edge. Install them all the way flush at four locations, closer to the centerline of lamination if possible.

NOTE: DO NOT USE TEK SCREWS ON DOUBLEWALL TANK SUMPS.



5) Gap-filling & transitioning

You may have a gap between the two reducers. It should not exceed 1/2" of gap. Use provided Fiberglass paste to create a smooth transition over the tek screw heads and the reducer seam.



6) Laminating the seam between reducers

A - Pre-cut several dozen pieces of 6" wide fiberglass mat to lengths of 20-24". You will need **3 layers** of these mat strips for the **INSIDE** and **OUTSIDE** joints of each piping sump.

B - Mix resin and catalyst together with mix stick thoroughly.

C - Use paint roller to apply resin generously to a smooth surface. Spread the resin so it 'wets out' an area larger than the strip of fiberglass mat. **(Fig. C)**

D - Apply one layer of fiberglass mat to the resin and use the paint roller to add more resin to fully saturate it. **(Fig. D)**

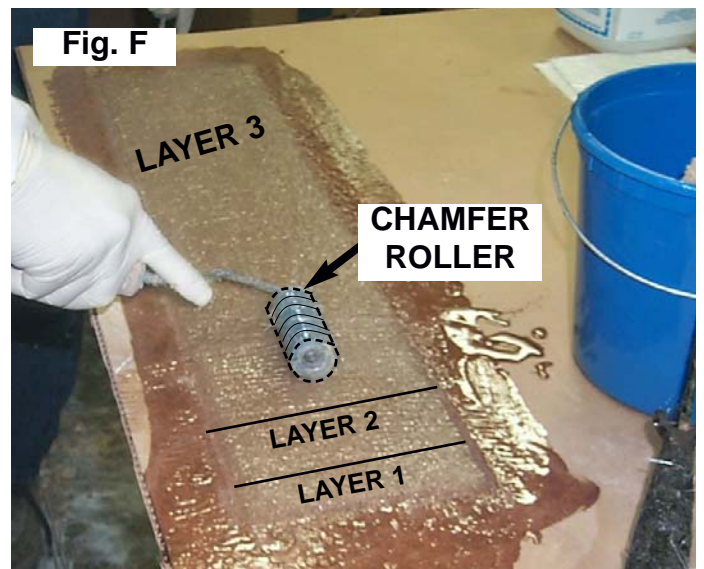
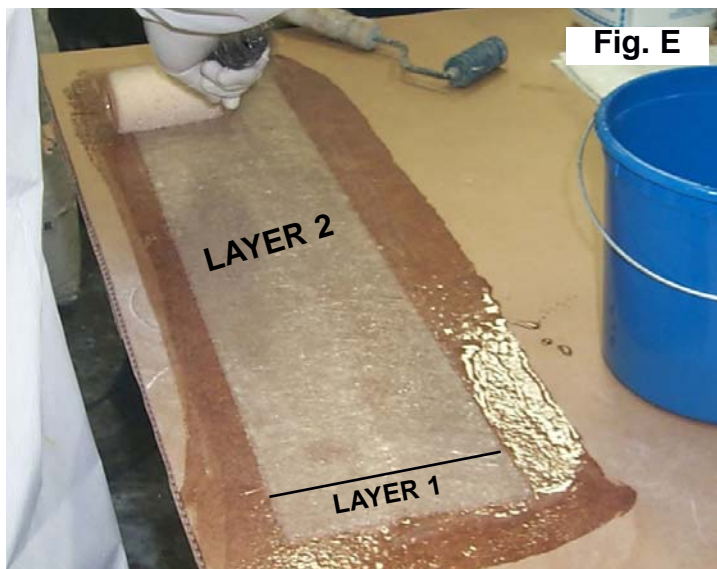
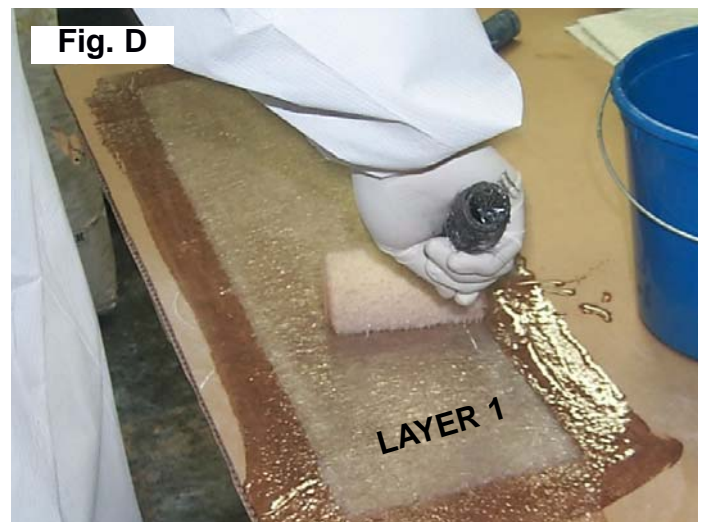
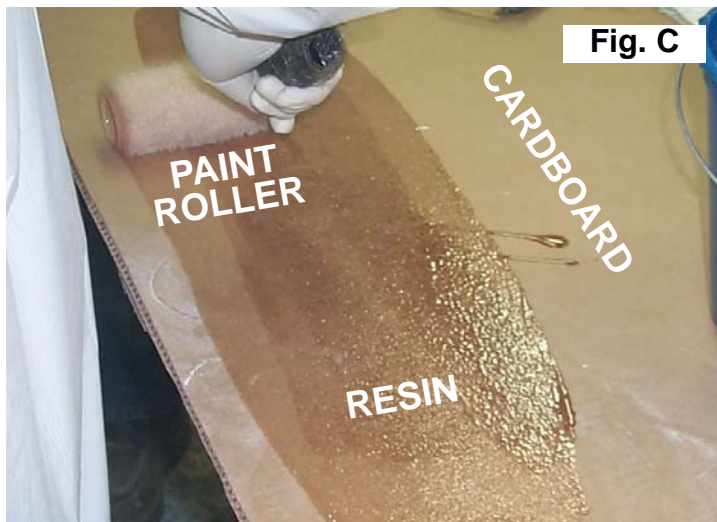
E - Lay down another strip of fiberglass mat, **staggering the new layer ONE INCH**. This means to offset the next fiberglass strip horizontally (lengthwise) 1" to the right. Roll more resin into the new strip to saturate it. **(Fig. E)**

F - Repeat **Step E**, **offsetting another strip of fiberglass mat** and using the paint roller to add more resin to it until it is fully saturated. **(Fig. F)**

G - Use a **Chamfer roller** to completely roll over the pre-soaked fiberglass strip while it is on the cardboard,



We have created a basic "How To Laminate" video which can be found on our website at www.sbravo.com/videos

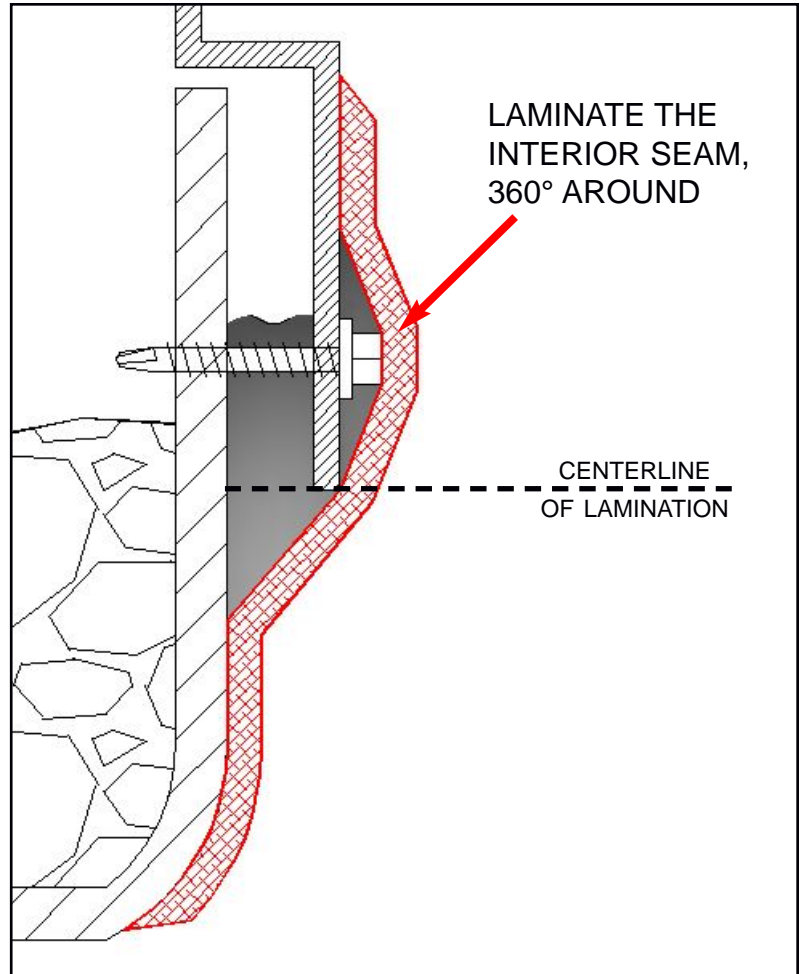


7) Leveling and Securing Retrofit Reducer

Apply each “patch” horizontally, centered over the centerline of lamination (seam) where you applied the paste gap-fill and transition. You must cover the tek screws, and **overlap the lamination ends together by FOUR INCHES**. Use the chamfer roller to roll out any air and flow-coat with remaining resin if you wish.

DO NOT DISTURB ANYTHING WHILE LAMINATION IS CURING.

Allow for a full cure time.



8) Final Assembly

After the lamination has cured, inspect for defects / flaws and patch as necessary.

To install SNAP-LOCK cover:

X) Remove protective wrapper from o-ring seal. It is pre-greased. Keep it clean of dirt / debris.

- 1) Unlock cams.
- 2) Step-to-seal.
- 3) Lock cams.

If you are unfamiliar with this new cover, read all about it at:

sbravo.com/snap



You can also see a video at:

sbravo.com/videos

