

SET-SCREW ALTERNATIVE

B.10) BRAVO CLAMPS:

OPTIONAL: Apply the Bravo Clamps immediately following adhesive application to each side of the pipe.

To Install: Tighten the clamp to the pipe approximately 1" from the face of the Flange and hand-tighten each thumb screw so each bolt is evenly snug against the fitting. Install one on each side.

When both clamps are snug then proceed to apply a 1/4 - 1/2 turn to each bolt evenly. When the bolts are applying enough force against the Flange, the clamp will slide along the pipe away from the Flange. Evenly turn the bolts until this occurs to maintain an even amount of force against the face of the Flange.

After clamps have been installed and secured, use an adhesive brush or gloved finger to bead the adhesive and keep it from sagging or running off the fitting. Spread it around as thick as possible 360° around the two Critical Joints (**FIG. B7**). Repeat or add additional mixed adhesive to build up a thick, heavy bead at each critical joint.

CLAMP KIT CHART

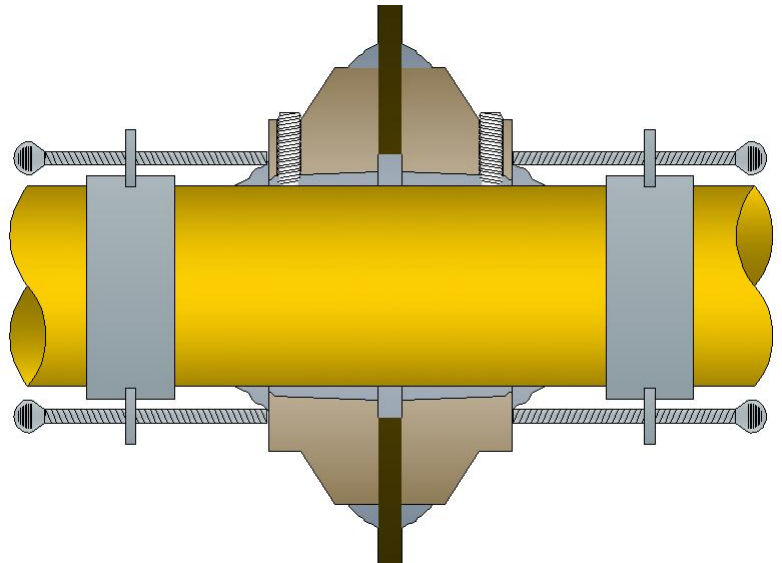
MODEL

F-20-FF Fitting ————— T-FF-CLAMP-2

F-30-FF Fitting ————— T-FF-CLAMP-3

F-40-FF Fitting ————— T-FF-CLAMP-4

ROUND SUMPS: CLAMPS ARE REQUIRED IN ADDITION TO THE SET SCREWS. DO NOT INSTALL 'RND' TYPE FITTINGS WITHOUT CLAMPS.



DO NOT TIGHTEN THE THUMB-SCREWS ALL THE WAY OR WITH EXCESSIVE FORCE.

B.11) Glue all penetration fittings and allow the full cure time per the adhesive kit instructions.

B.12) After adhesive has fully cured, remove the clamps by backing off the thumbscrews until they disengage from any adhesive that covered them.

OPTIONAL: Re-apply adhesive to fill the holes the clamp-bolts left in the adhesive at the face.

C) TESTING YOUR F-SERIES INSTALLATION

After all the FF-Series Fiberglass Flange Fittings are installed with your pipe and have fully cured: Water level test to a minimum of 2" above the highest entry fitting or joint. Ensure there are no other components that may be damaged by the water test. Follow all local codes and regulations.