

INSTALLATION MANUAL

B-710/760 H2O SERIES

MODULAR UST to AST TRANSITION SUMP



B-710 WITH 2 RISERS, RACK SYSTEM AND BOLLARDS

B-710 SPLIT LID TRANSITION SUMP SHOWN WITH H2O-RATED DIAMOND PLATE LID FOR TRAFFIC



Tech Support: 323-888-4133

RECOMMENDED - T-FS-SAND-KIT

5/8" sanding disc backs and centralizers for all Bravo Systems Fittings



MANDATORY

The B-710/760 SingleWall Vent/Piping Transition Sump Series from S. Bravo Systems, Inc. **MUST** be installed by, and only by, **Bravo Certified Installation Contractors**. Details can be found at www.sbravo.com/cert.htm

IMPORTANT

READ THESE INSTRUCTIONS - KEEP FOR FUTURE REFERENCE

TABLE OF CONTENTS

- A) Sump Positioning & **CONCRETE PLAN DETAIL**..... p. 3
 - Optional Rack Support Installation..... p. 4
- B) Penetration Fittings..... p. 5
- C) Water Testing Transition Sump / Fittings..... p. 5
- D) Repairing Leaks / Field Damage..... p. 5
- E) Mandatory Drainage Channel Installation..... p. 6
- F) Backfill, Concrete & Rack Installation Instructions..... p. 7

RECOMMENDED - T-FS-SAND-KIT

5/8" sanding disc backs and centralizers for all Bravo Systems Fittings



NOTICE

- ***Closely adhere to all directions and warnings indicated on the product or contained in these instructions.***
- ***Warranty is void if there is any evidence of modification, abuse, tampering, negligence or improper installation.***
- ***For assistance please call Bravo for technical support at (800) 28-BRAVO. Outside the U.S.A. please call (323) 888-4133.***

SAFETY FIRST! S. Bravo Systems, Inc. urges you to carefully adhere to the normal safety procedures and precautions followed by your company. Please follow the mandates and compliances decreed by OSHA, local, State and federal regulations regarding the use of this product.

WARRANTY

All containment systems sold by S. Bravo Systems, Inc. are warranted to be free from defects in material and workmanship for a period of one year from date of purchase. This warranty will be limited to the repair and replacement of Bravo parts only and will exclude all claims for labor or consequential damage. No other express warranties given and no affirmation of S. Bravo Systems, Inc., or its agents and/or representatives, by words or action, will constitute a warranty. IT IS EXPRESSLY AGREED THAT THIS WARRANTY WILL BE IN LIEU OF ALL WARRANTIES OF FITNESS AND IN LIEU OF THE WARRANTY OF MERCHANTABILITY.

This warranty is void if there is any evidence of modification, abuse, negligence, or improper installation. If any fittings or components, other than S. Bravo Systems approved fittings or components, are used in conjunction with any S. Bravo Systems product, the warranty pertaining to these products is immediately void.

A - SUMP POSITIONING

A.1 - Determine the permanent position of the Transition Sump according to your specs.

IMPORTANT You must seat the Transition Sump on a minimum 4" bed of sand, which must cover an area that extends past the sump diameter by 6" all the way around.

A.2 - Using leveling stakes, stake the target area for vent box to be set and frame or scaffold the box into a permanent fixed position, and to prevent any shifting or movement prior to pouring of concrete. Make sure to allow access to where your penetration fittings will be installed.

⚠ CRITICAL YOU MUST NOT REMOVE THE FACTORY-INSTALLED FOAM FROM THE BOTTOM OF THIS TRANSITION SUMP, IT IS A MANDATORY PART OF THE INSTALLATION AS DETAILED BELOW.
THIS WILL VOID YOUR WARRANTY IMMEDIATELY

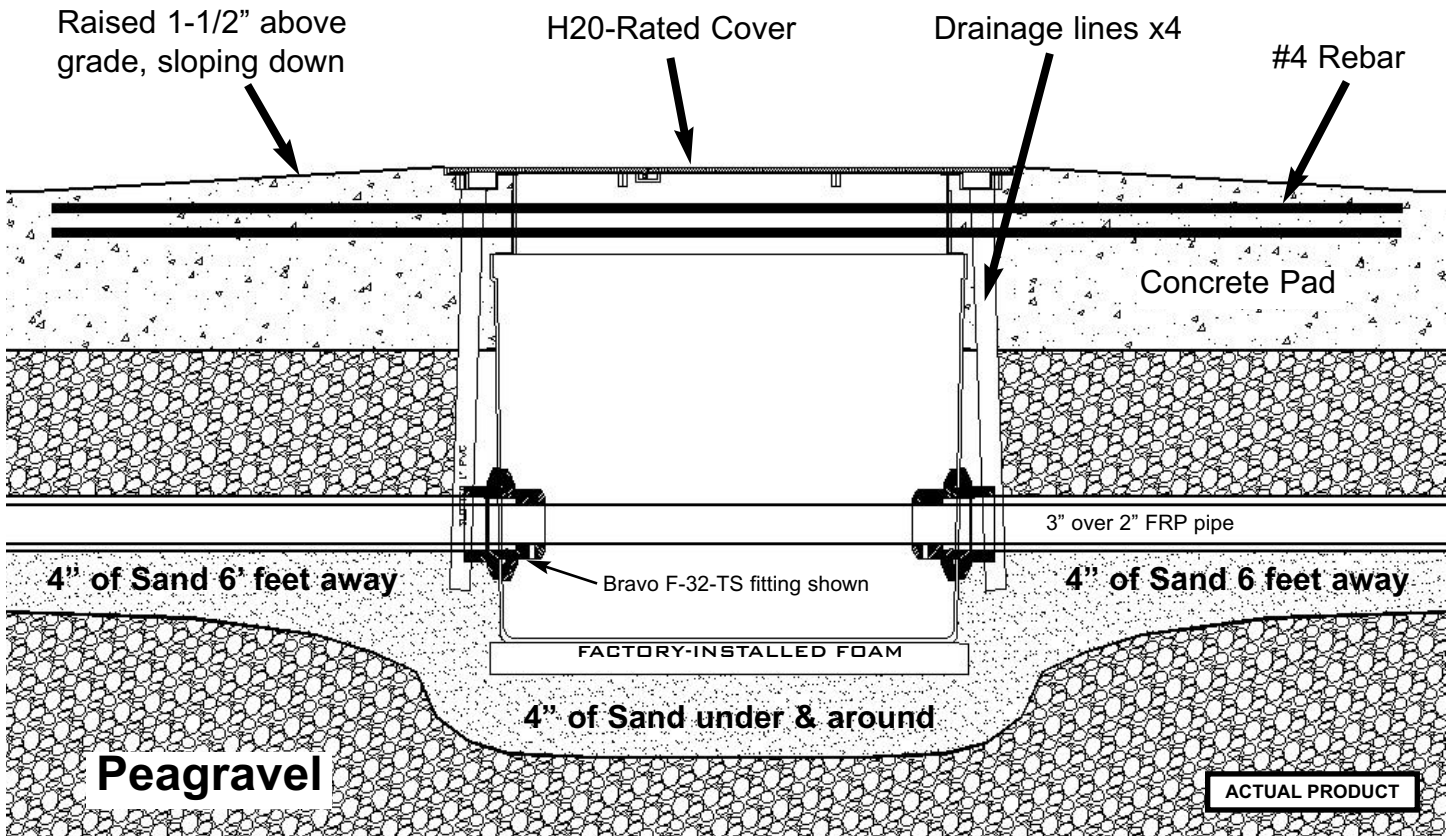
CONCRETE DETAIL

NUMBER 4 REBAR THROUGH ALL AVAILABLE ANCHORING HOLES

1-1/2" ABOVE GRADE, SLOPING DOWN

SAND 4" DEEP UNDER PIPE LINES, REACHING 6 FEET AWAY FROM SUMP

SAND 4" DEEP UNDER SUMP, APPROXIMATELY 6" AWAY, 360° AROUND



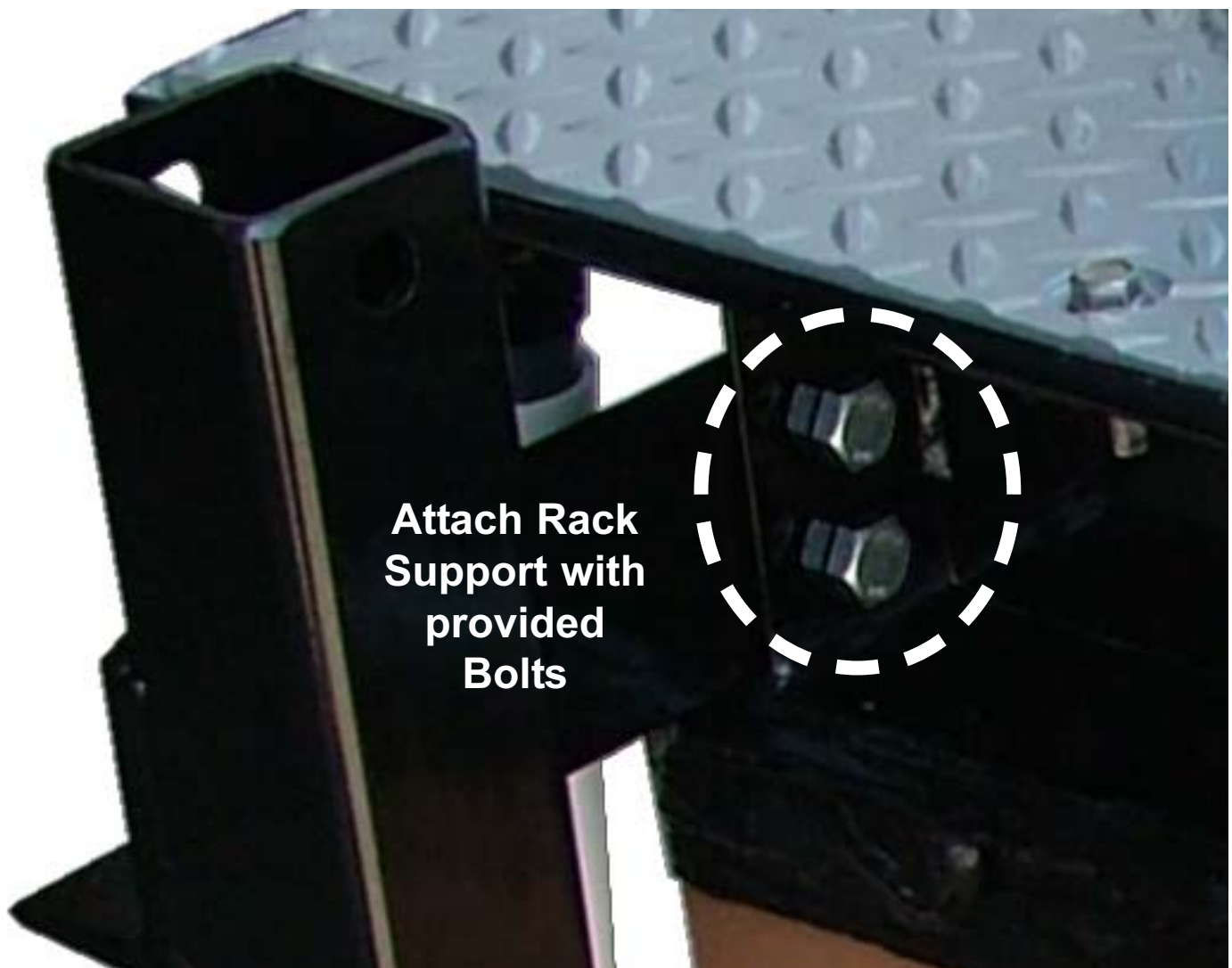
OPTIONAL RACK SYSTEM INSTALLATION

IF YOU ARE TRANSITIONING ABOVE GROUND TO A HEIGHT GREATER THAN 3', YOU REQUIRE THE BRAVO SYSTEMS RS-700 RACK SYSTEM. THE RACK SLEEVES (SUPPORT ARMS) ARE INCLUDED WITH THE PURCHASE OF THE RACK SYSTEM ITSELF AND IS A ONE-PIECE UNIT.

THE FOLLOWING FASTENERS ARE PROVIDED: 4X BOLTS, 4X NUTS AND 4X WASHERS.

1) - If already installed, remove the Drain Lines from the Transition Sump so they do not interfere with the side you will Install your Rack Support to.

2) - Using provided bolts, nuts and washers, securely bolt your rack support so that it is level.



IMPORTANT MAKE SURE SUMP IS PLUMB VERTICALLY AND LEVEL FOR RACK SYSTEM INSTALLATION.

B - PENETRATION FITTINGS

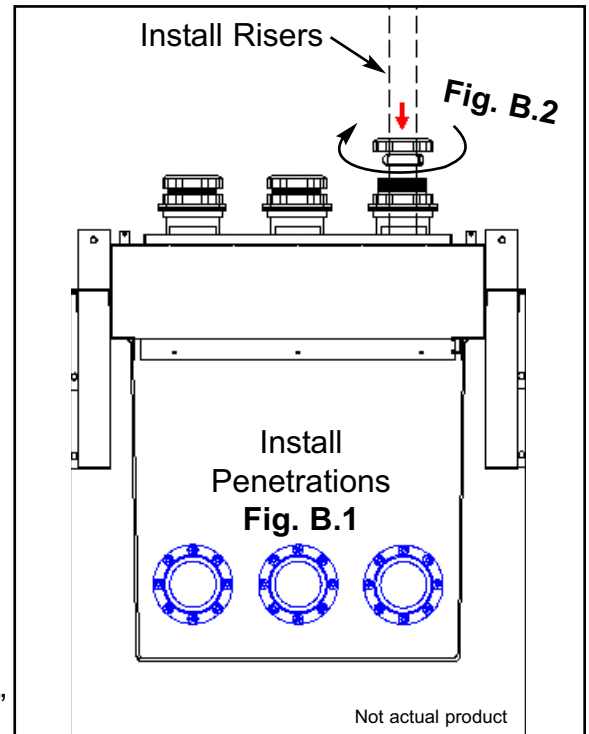
B.1 - Remove Access Cover from Vent Box, set aside. Install any/all UST penetration fittings and piping.

IMPORTANT

IT IS RECOMMENDED THAT YOU ABRADE THE SUMP WALLS FLAT PER THE T-FS-SAND-KIT INSTALLATION INSTRUCTIONS

Refer to your pipe manufacturer's Installation Instructions to install your Piping System and risers.

B.2 - The AST Fittings are Factory Installed to your interchangeable top plate. The Compression Gasket for 2" & 1-1/2" Pipe, the B-18 rigid fitting, is pre-greased by the factory. When installing risers you must fit the Compression Gasket over the pipe, (**Fig. B.2**) down onto the Compression Fitting, and thread on the Compression Nut. Use the Bravo Compression nut tool (**Part No. WR-3**) to torque to **1/4 to 1/2 turn past hand-tight**. For 1" or 3/4" lines, the ES-1 reducer requires that you tighten two hose clamps.



C - WATER TESTING SUMP / FITTINGS

It is recommended that all piping and conduits be connected and tested at this time. Clear all debris & materials from the transition sump. All field installed penetration fittings must be water-leak tested.

C.1- To test field installed fittings, ensure the Transition Sump's weight is completely supported.

C.2- Fill the box with water to **2 inches** above the highest fitting. **After 3 hours**, make a visual inspection of the exterior of the box. If there are no leaks, proceed to remove the water by appropriate means.

If there are any leaks, proceed to **Step D** (below) for repair instructions.

D - IF ANY LEAKS ARE FOUND!!

- A:** Locate leak point(s) and mark with marker so you can locate it / monitor it.
- B:** Repair or reinstall penetration fittings according to your penetration fitting manufacturers' Installation / Maintenance Instructions.
- C: FOR FIBERGLASS REPAIRS:** Abrade a 2" diameter area centered on the leak point until flow coat is gone and natural resin/fiberglass material can be seen. Dust with shop brush or compressed air and do not use shop towels or acetone. S. Bravo Systems recommends "**Smith Fibercast Adhesive Kit #8014**" to repair and reinforce Bravo Fiberglass products. Make sure area is completely dry and apply resin generously. For anything larger than pinhole leaks, consult the factory. Allow minimum 2 hours to cure.

E - MANDATORY DRAINAGE CHANNEL

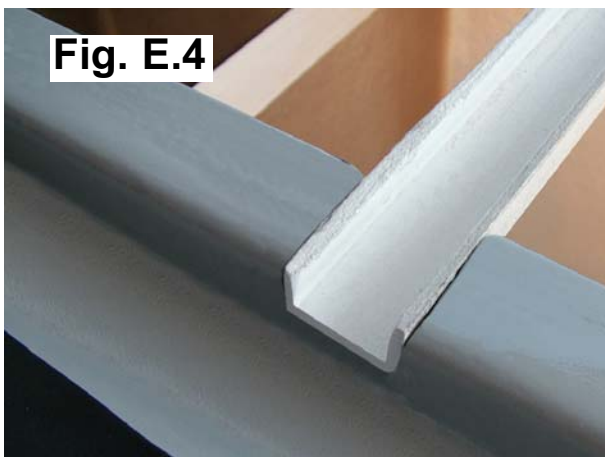
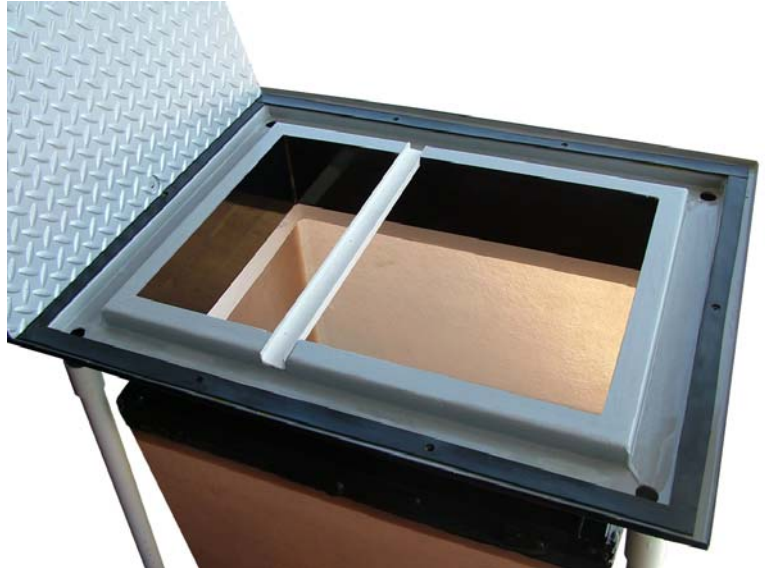
E.1- Prior to tightening fittings or securing your lid, ensure that the drainage channel is in place.

E.2- Slide the lid up your pipe lines to gain access to this area.

E.3- Coat the underside of the drainage channel with vulkem sealant where it will mate with the frame

E.4- The Drainage channel should be as flush with the frame as possible. (Fig. E.4)

E.5- When secured, slide your lid down your piping and secure in place. (Fig. E.5)



F - Backfill and Pouring the Concrete

IMPORTANT

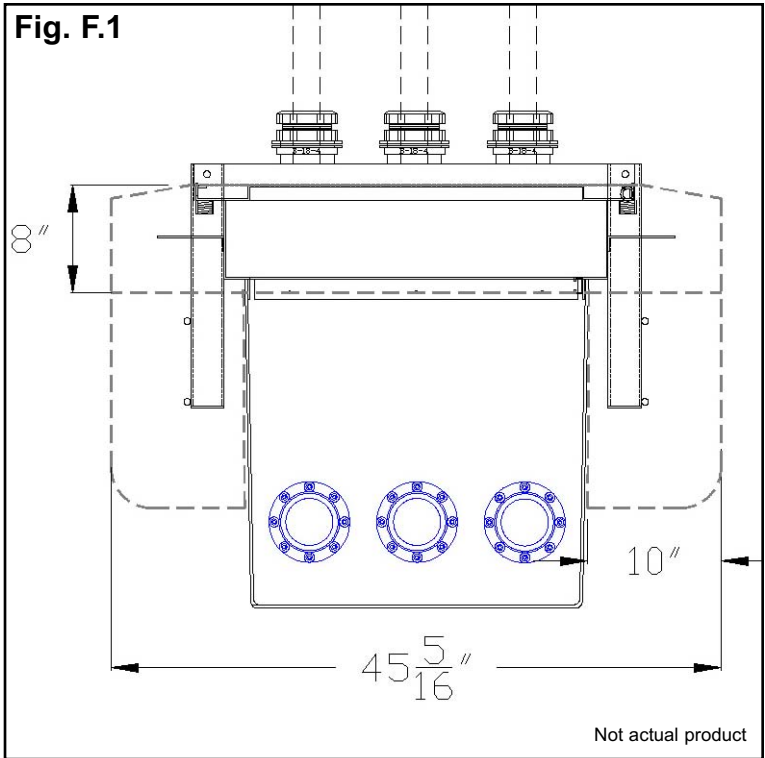
Do not remove Square caps from Rack sleeves until after concrete has been poured and firmly set.

F.1 - Prepare site for concrete pouring. Backfill with peagravel or sand on top of your piping and around the Transition Sump. Ensure that a 4" bed of sand is beneath all piping coming to and from the sump. Place your peagravel in such a way that the concrete poured around the Vent Box is even and within the dimensions shown in Fig. F.1 and Fig. F.2

CAUTION

INSTALLING PERMANENT "BOLLARDS" (Heavy Posts) is MANDATORY

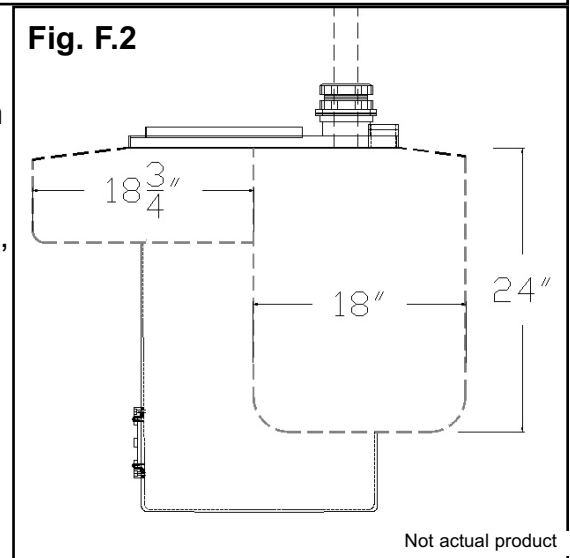
if Transition Sump is used to Transition any material from below to above ground. Applies to B-710 and B-760 models.



F.2 - Level concrete away from Vent Box. Per the detail called out on page 3, the sump should be raised 1-1/2" above the grade, and the concrete should slope away.

F.3 - FOR RACK

After concrete has set, remove square caps from rack sleeves and assemble rack system. Drop rack system (RS700) into rack sleeves, secure, and seal off rack cross/brace and fasteners with Vulkem Sealant. (Fig. F.3)



F.4 - Secure your risers using pipe clamps to the rack system. It is recommended that you seal against corrosion any/all exposed nuts, bolts, clamps or exposed areas of the rack system where the protective epoxy paint may have been removed.