

INSTALLATION INSTRUCTIONS

B-7000 SPLIT UDC SUMP

SINGLEWALL FIBERGLASS CONTAINMENT SUMP

FACTORY
PROVIDED

DISPENSER FRAME



1x Vulkem Sealant, 4x 1/2" bolts, 8x washers and 8x nuts are affixed to the Frame

PACKAGE FOR OPTIONAL EO



3x 3/4" clamps,
3x 1" clamps,
8x screw mounts
and 8x nuts



PROVIDED

1 SLURRY KIT FOR CHANNEL
FOR B-7000 - EP-SLURRY-KIT-0.75GAL
Slurry mix. Catalyst. Gloves. Mixing bucket.

CRITICAL !!
IN HOT WEATHER, KEEP
SUMPS AND SLURRY
SHADED. FOLLOW PAGE 4.

ii-B7000-SP-14A

MANDATORY

The B-7000 Series Singlewall UDC from S. Bravo Systems, Inc. MUST be installed by a **Bravo Certified Installer**. Get Certified at www.sbravo.com/cert

IMPORTANT

TABLE OF CONTENTS

A) Sump positioning & penetration fittings.....	p. 3
B) Slurry pour step.....	p. 4
C) Water testing sump joint and penetrations.....	p. 4
D) Repairing damaged sumps.....	p. 4
E) Adjusting shear valves.....	p. 4
F) Concrete instructions for Electrical Offset area.....	p. 5
F) Electrical Offset sealing for Wayne-Vac models.....	p. 6

NOTICE

- Closely adhere to all directions and warnings indicated on the product or contained in these instructions.

- Warranty is void if there is any evidence of modification, abuse, negligence or improper installation.

- For assistance please call Bravo for technical support at (800) 28-BRAVO. Outside the U.S.A. please call (323) 888-4133.

SAFETY FIRST! S. Bravo Systems, Inc. urges you to carefully adhere to the normal safety procedures and precautions followed by your company. Please follow the mandates and compliances decreed by OSHA, local, State and federal regulations regarding the use of this product.

WARRANTY

All containment systems sold by S. Bravo Systems, Inc. are warranted to be free from defects in material and workmanship for a period of one year from date of purchase. This warranty will be limited to the repair and replacement of Bravo parts only and will exclude all claims for labor or consequential damage. No other express warranties given and no affirmation of S. Bravo Systems, Inc., or its agents and/or representatives, by words or action, will constitute a warranty. IT IS EXPRESSLY AGREED THAT THIS WARRANTY WILL BE IN LIEU OF ALL WARRANTIES OF FITNESS AND IN LIEU OF THE WARRANTY OF MERCHANTABILITY.

This warranty is void if there is any evidence of modification, abuse, negligence, or improper installation. If any fittings or components, other than S. Bravo Systems approved fittings or components, are used in conjunction with any S. Bravo Systems product, the warranty pertaining to these products is immediately void.

UPON ARRIVAL

Inspect your sumps for damage, which would be visible as bright white areas of fiberglass.

A) B7000 SUMP INSTALLATION

A.1) Assemble your B7000 Sump as a dry-fit only. First Bolt the dispenser frame to the top half of the sump and then tie the top half to the bottom with provided nylon rope. **(Fig. A.1)**

A.2) You should now determine your dispenser grade, run & secure a grade line.

A.3) With your island form in place, use angle stock (NOT Provided) to span the width of the island. Hang the UDC from the metal frame on both sides & secure it's position. Always set box at a minimum 1/4" above island level. **IF NO ISLAND WILL BE INSTALLED**, ensure the box is set at a minimum of 1" above grade. **(See Fig. A.3)**

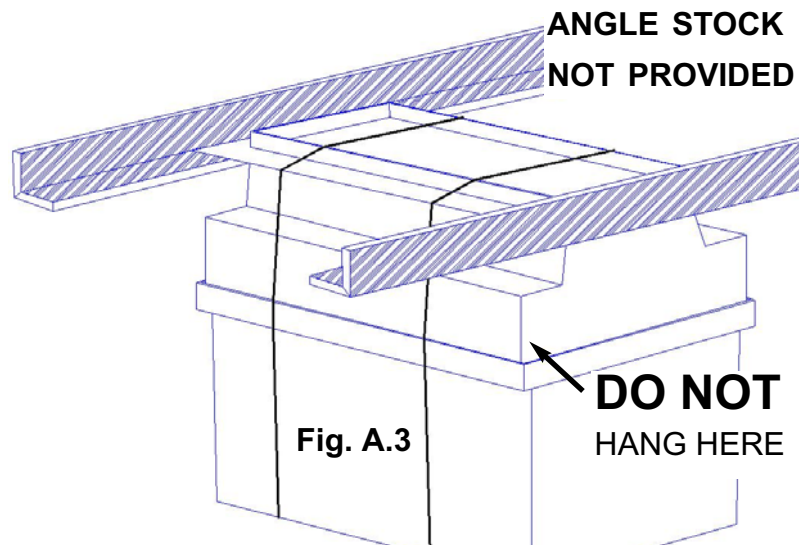
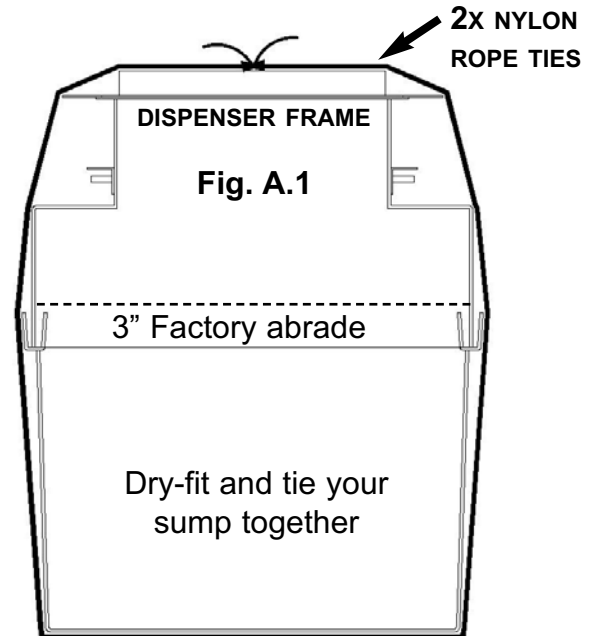
A.4) Shovel a wide bed of peagravel under the UDC to support it fully.

A.5) Install your brackets, shear valves and flexes. Mark sump for penetration fittings.

A.6) Once the bed of peagravel is in place and the UDC is level and will not move, untie and lift the top half off. Set aside to allow easy access to interior for installation of penetration fittings.

A.7) Install all product Fittings and piping to the bottom Sump. Measure your fittings overall diameters. Using these measurements, plan your penetrations so that the fittings are 1" away from all edges and corners. **DO NOT WATER TEST YET**

A.8) The lower portion of the top is factory-abraded 3" up from the edge **(Fig. A1)**. Prior to final installation (slurry mix and pour step) If it looks like this area has been contaminated, lightly hand sand with sandpaper and blow off with compressed air. If you are adjusting the height by cutting from the bottom of the top half, ensure that you re-abrade 2" up on the inside and outside.



Rest Angle Stock across your island form to secure the assembled sump to the correct position and grade

B - EPOXY SLURRY POUR

Follow the SLURRY INSTRUCTIONS manual affixed to your slurry can.

⚠ CRITICAL DURING HOT WEATHER - KEEP ALL SUMPS, SLURRY AND RESIN SHADED AND OUT OF DIRECT SUNLIGHT UNTIL TIME OF INSTALLATION. AM (MORNING) INSTALLATION IS RECOMMENDED.

⚠ CRITICAL DO NOT DISTURB THE SUMP OR IT'S PIPING UNTIL AFTER THE FULL SPECIFIED CURE TIME

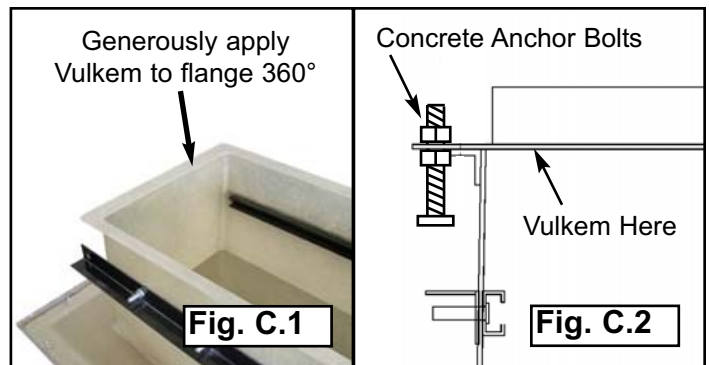
C) WATER TESTING

Sump must be supported from the bottom. Fill with water to no more than 2" above the sealed joint and monitor for one hour. Look for leaks at the sealed joint, fittings, and all edges and corners. All local regulations precede this instruction.

C.1) Apply a bead of provided Vulkem 116 sealant 1/8" thick atop the fiberglass flange, avoiding the bolt holes, then bolt down your dispenser frame and seal any gaps as necessary. (Fig. C.1)

C.2) Install your Concrete Anchor Bolts to your dispenser frame as shown in Fig. C.2.

C.3) Backfill your site with your available backfill material. Then pour concrete around UDC.



D - REPAIRING SUMPS

If tank sumps either arrive damaged or are damaged in the field, contact the factory.

E) SHEAR VALVE ADJUSTMENT

E.1 - Connect dispenser riser pipe to the product shear valve using a UL pipe / thread sealant. A nipple may be required to extend the dispenser riser. If product shear valves are positioned correctly, connect them with a union.

E.2 - Connect electrical and vapor lines to the dispenser as required by local regulations. Always follow electrical and vapor component manufacturers' Installation Instructions.

E.3 - Adjust fastener components of the bracketing system until all shear valves / lines are aligned with their endpoints.

F) BRAVO ELECTRICAL OFFSET FRAME INSTALLATION INSTRUCTIONS

IMPORTANT

Make sure all electrical conduits and piping are clear of any equipment or other obstructions in the dispenser. Physically check your hydraulic cabinet for obstructions before any installation begins.

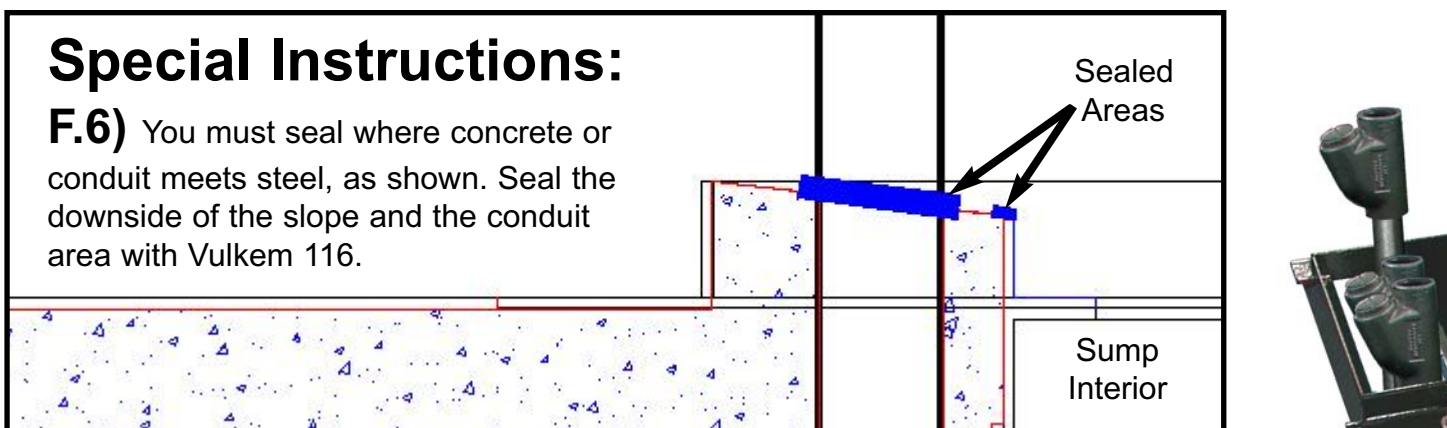
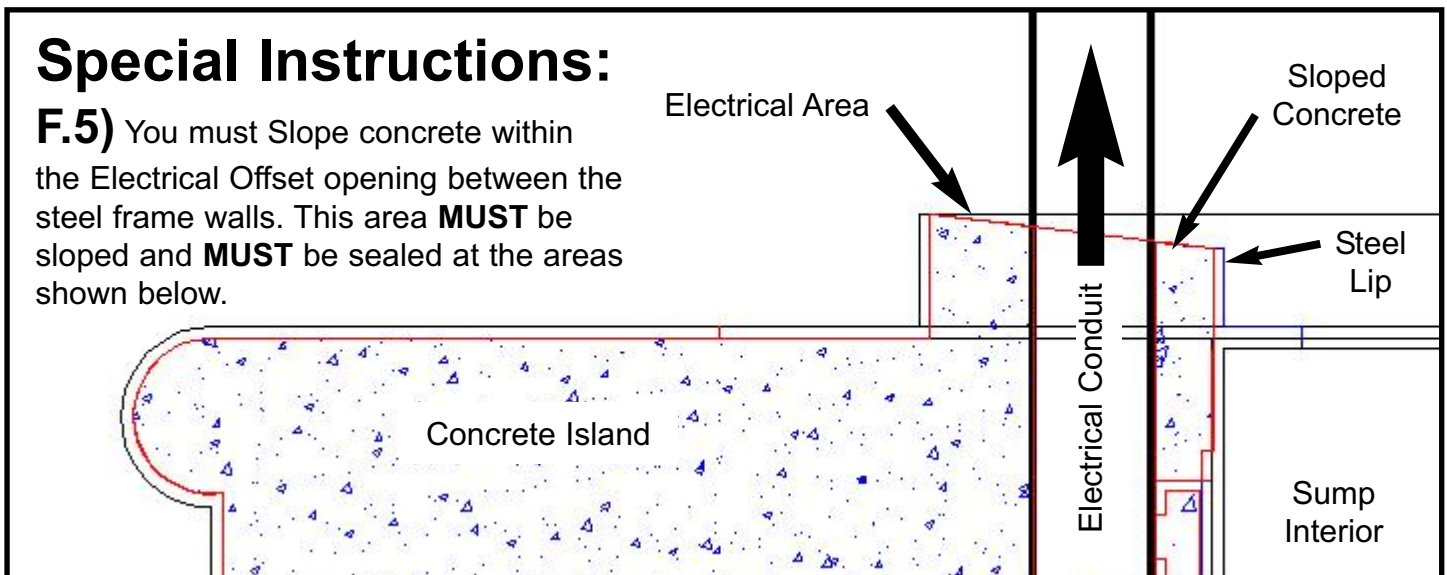
BRAVO UNDER DISPENSER CONTAINMENT ELECTRICAL OFFSET INSTRUCTIONS

F.1) The Frame should be fully installed and sealed with Vulkem before conduit installation.

F.2) Make sure all electrical conduits (piping) are clear of any equipment in the dispenser. Physically check your hydraulic cabinet for obstructions before any installation begins.

F.3) Conduits must be run and tightly secured to the sump.

F.4) Pour concrete around outside of Dispenser Sump per Bravo Installation Instructions.



FOR WAYNE-VAC ELECTRICAL OFFSET

Mark the medallions you need to penetrate with conduit and use a centralized hole saw centered in the middle of the raised medallion to cut the ones you need. Only use a hole saw that matches your conduit size and hand sand the hole edge if the conduit does not cleanly fit through. After target elevation, seal-offs and other conduit components have been installed, seal the open edge with Vulkem 116 polyurethane sealant. This sealant comes in a standard size caulk tube and is provided by Bravo with your sump.

