

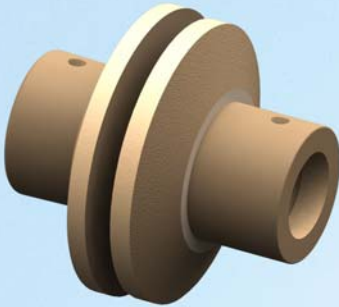
**PATENTS
PENDING**

F-SERIES FIBERGLASS ENTRY FITTINGS

FOR FLAT SINGLEWALL FIBERGLASS SUMPS

F-1X-SS / F-1X-RR / F-XX-LS-T-MP / F-XX-TS-T-MP
FOR SMITH OR AMERON FIBERGLASS PIPE

Never replace a fitting again !

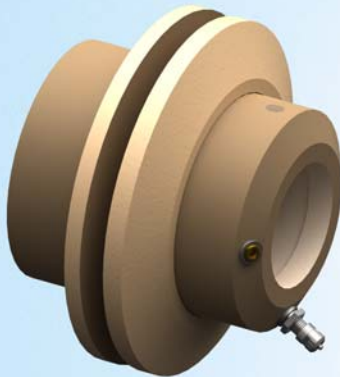


Conduit Pass-through Fittings

PART #	Description
F-17-SS:	Fitting for 3/4" galvanized steel conduit
F-10-SS:	Fitting for 1" galvanized steel conduit
F-17-RR: *	Fitting for 3/4" RobRoy brand PVC-coated steel conduit
F-10-RR: *	Fitting for 1" RobRoy brand PVC-coated steel conduit

* RobRoy brand PVC Conduit is sold and marketed under three different names:

Plastibond:	www.plastibond.com
Permacote:	www.permacote.com
Korkap:	www.korkap.com



Size over Size / LCX Fittings

PART #	Description
F-32-TS-T-MP:	Fitting for 3" over 2" FRP pipe w/ dual test ports
F-43-TS-T-MP:	Fitting for 4" over 3" FRP pipe w/ dual test ports
F-64-TS-T-MP:	Fitting for 6" over 4" FRP pipe w/ dual test ports
For Ameron LCX Coaxial pipe	
F-22-LS-T-MP:	Fitting for 2" LCX Coaxial FRP pipe w/ dual test ports
F-33-LS-T-MP:	Fitting for 3" LCX Coaxial FRP pipe w/ dual test ports

FEATURES:

- > Reduce Labor & Material
- > New Multi-Port design
- > Tank-Spec FRP material
- > No metal or rubber parts
- > Warranted for fuel submersion
- > 30 Year Corrosion Warranty

CONTACT FACTORY FOR ROUND SUMPS



Third Party Approved



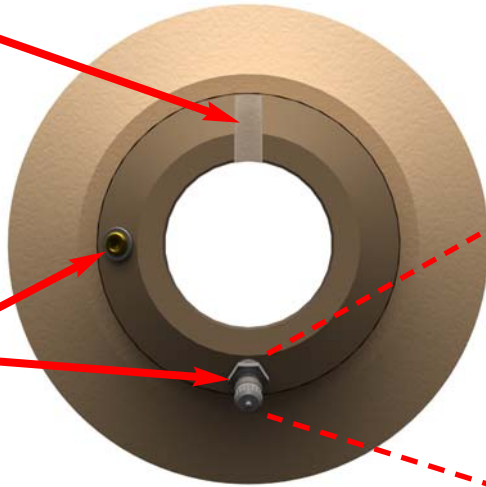
WWW.SBRAVO.COM
800-AT-BRAVO



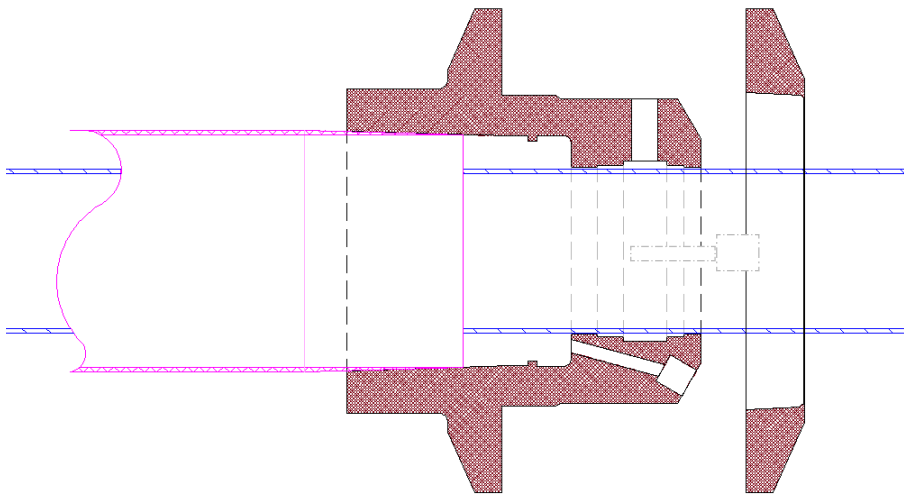
F-SERIES MULTI-PORT

Adhesive Injection Port always installed at 12 'o-clock

Dual test ports at 9 and 6 'o-clock



The Multi-Port F-Series entry fitting has two test / drain port locations. One at 9 'o-clock and one at 6 'o-clock. This allows installers to choose the position that is compliant with their local regulatory requirements.



Primary passes through fitting for testing, while not permanently installed. After primary passes testing, the primary is then sealed to the fitting by adhesive injection.

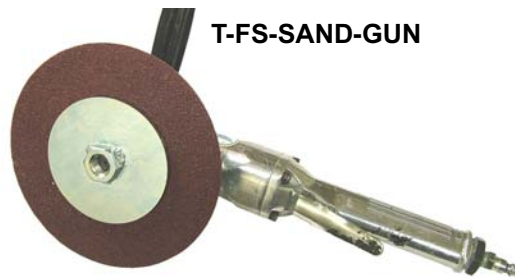
The secondary is then sealed and tested.

RECOMMENDED TOOLS FOR INSTALLATION: Refer to Instruction Manual

- T-FS-SAND-GUN Sanding Gun (5/8")
- T-FS-SAND-KIT Steel disc set for fittings



T-FS-SAND-KIT



T-FS-SAND-GUN