

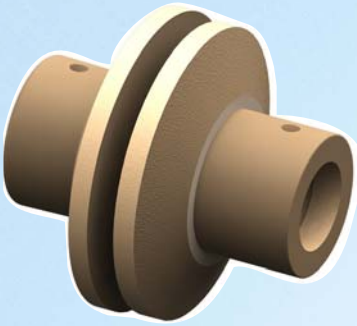
**PATENTS
PENDING**

F-SERIES FIBERGLASS ENTRY FITTINGS FOR FLAT DOUBLEWALL FIBERGLASS SUMPS

F-1X-SS-D / F-1X-RR-D / F-XX-TS-D / F-XX-LS-D

DOUBLEWALL FITTING FOR CONDUIT AND FIBERGLASS PIPE

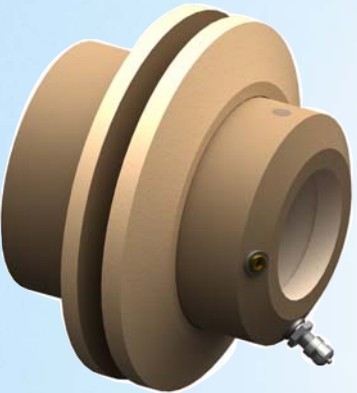
True AB-2481 Compliance!



Conduit Pass-through Fittings

PART #	Description
F-17-SS-D *	Fitting for 3/4" galvanized steel conduit
F-10-SS-D *	Fitting for 1" galvanized steel conduit
F-17-RR-D:	Fitting for 3/4" RobRoy brand PVC-coated steel conduit
F-10-RR-D:	Fitting for 1" RobRoy brand PVC-coated steel conduit

*** IF BRINE (SALINE) IS USED - YOU MUST USE "RR" MODELS**



Size over Size / LCX Fittings

PART #	Description
F-32-TS-D:	Fitting for 3" over 2" FRP pipe w/ dual test ports
F-43-TS-D:	Fitting for 4" over 3" FRP pipe w/ dual test ports
F-64-TS-D:	Fitting for 6" over 4" FRP pipe w/ dual test ports
For Ameron LCX Coaxial pipe	
F-22-LS-D:	Fitting for 2" LCX Coaxial FRP pipe w/ dual test ports
F-33-LS-D:	Fitting for 3" LCX Coaxial FRP pipe w/ dual test ports

FEATURES:

- > Reduce Labor & Material
- > Tank-Spec FRP material
- > No metal or rubber parts
- > Port for testing sump interstice
- > Warranted for fuel submersion
- > 30 Year Corrosion Warranty



Third Party Approved



NO

- Plastic
- Rubber
- Clamps
- Sealant
- Nuts
- Bolts

CONTACT FACTORY FOR ROUND SUMPS



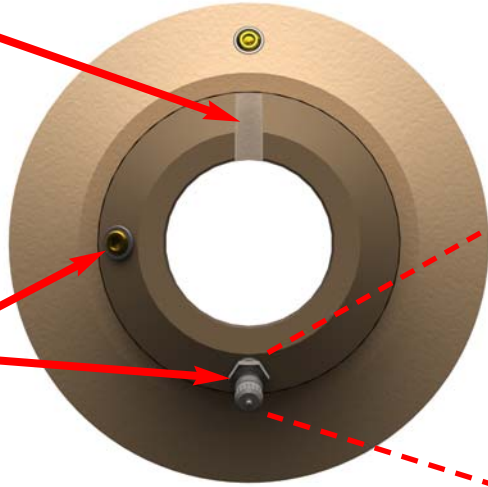
WWW.SBRAVO.COM
800-AT-BRAVO



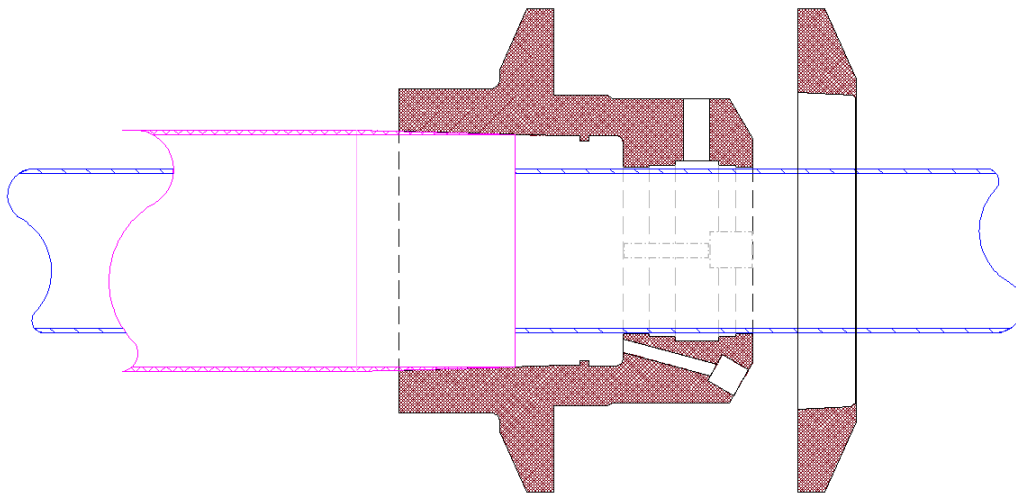
F-SERIES-D FITTING

Adhesive Injection Port always installed at 12 'o-clock

Dual test ports at 9 and 6 'o-clock



The F-Series-D entry fitting has two test / drain port locations. One at 9 'o-clock and one at 6 'o-clock. This allows installers to choose the position that is compliant with their local regulatory requirements.



Primary passes through fitting for testing, while not permanently installed

After primary passes testing, the primary is then sealed to the fitting by adhesive injection

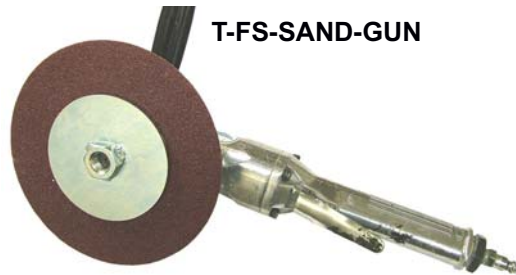
The secondary is then

RECOMMENDED TOOLS FOR INSTALLATION: Refer to Instruction Manual

T-FS-SAND-GUN Sanding Gun (5/8")
 T-FS-SAND-KIT Steel disc set for fittings



T-FS-SAND-KIT



T-FS-SAND-GUN