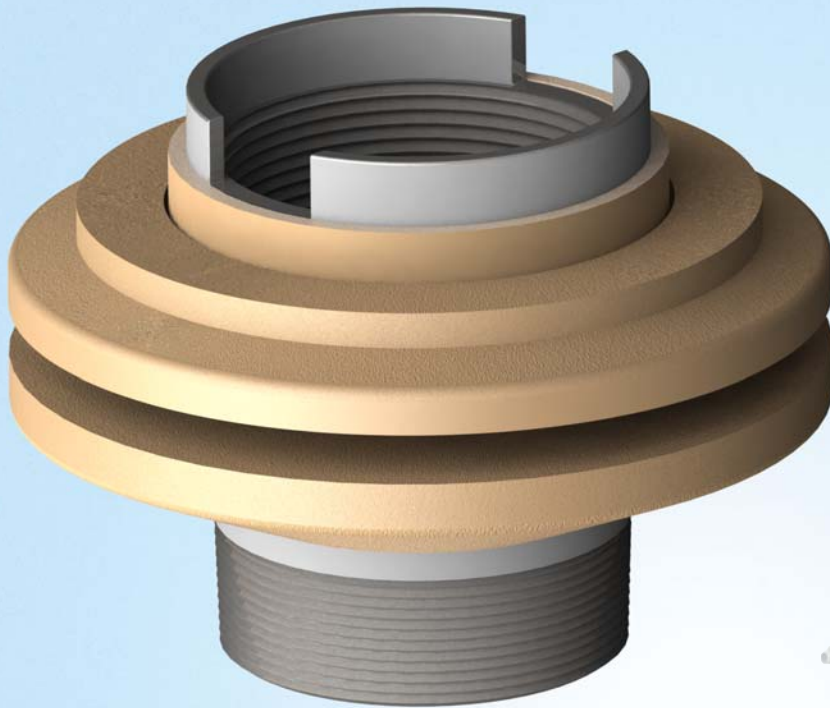


B-TBF Fiberglass Tank Bung Fitting

ALL-FIBERGLASS BONDED TANK BUNG FITTING

NPT THREAD-IN FOR 4" AND 6" RISERS

MANUFACTURED OF FIBERGLASS



Dimensions:

B-TBF-4

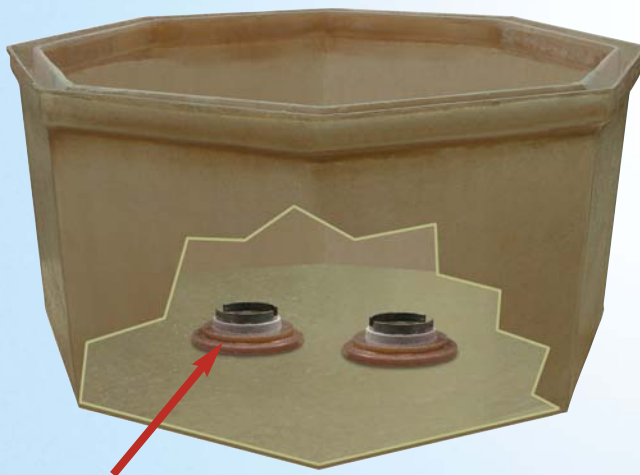
Diameter: 9"
Height: 6.5"
Body: UL Fiberglass
Coupler: Coated Steel
4" MNPT x FNPT

B-TBF-6

Diameter: 11"
Height: 7"
Body: UL Fiberglass
Coupler: Coated Steel
6" MNPT x FNPT



High-end materials match UST spec UL1316 to ensure longevity and fuel compatibility



Bravo Tank Bung Fittings
are designed for the B-407-RB Retrofit Sump

FEATURES:

- > All-Fiberglass bond to sump structure ensures zero water intrusion.
- > Designed for B-407-RB retrofit sump
- > Machined 4" or 6" NPT threads
- > No clamps or nuts/bolts to corrode
- > No gaskets or sealants
- > No matching bolt holes
- > One hole installation

PATENTS PENDING

12A



WWW.SBRAVO.COM
800-AT-BRAVO



made
in USA

