



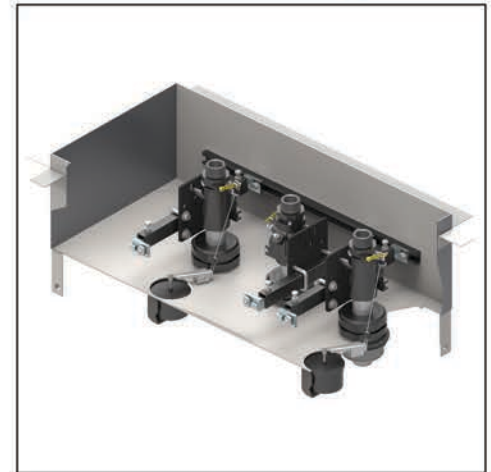
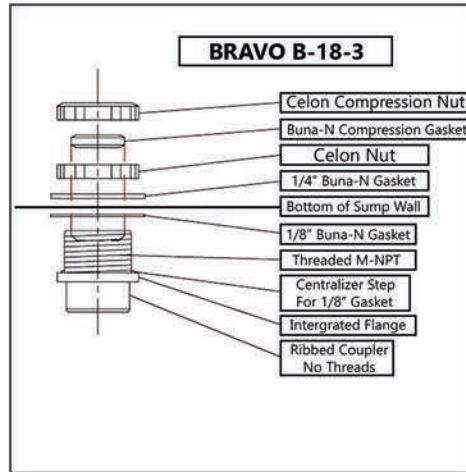
PRICING: B-2000 STANDARD METAL PAN

FEATURES:

- Made in the USA
- UL Listed System
- Rugged Steel Construction
- Factory Water-Tested
- Compatible With all Fuels



EQ# 045



B-2000 STANDARD METAL PAN

| B-2000 LARGE PAN UDC FOR DISPENSER LENGTHS BETWEEN 37" AND 48" | | LIST |
|---|--|-------------|
| B2000-M4L | 4 Inlet, 4 Rigid Fittings, 4 Brackets, 4 Valves, 4 Floats & Dispenser-Specific Frame | \$3948 |
| B2000-M3L | 3 Inlet, 3 Rigid Fittings, 3 Brackets, 3 Valves, 3 Floats & Dispenser-Specific Frame | \$3455 |
| B2000-M2L | 2 Inlet, 2 Rigid Fittings, 2 Brackets, 2 Valves, 2 Floats & Dispenser-Specific Frame | \$2978 |
| B2000-M1L | 1 Inlet, 1 Rigid Fitting, 1 Bracket, 1 Valve, 1 Float & Dispenser-Specific Frame | \$2501 |
| B-2000 MEDIUM PAN UDC FOR DISPENSER LENGTHS BETWEEN 29" AND 36" | | LIST |
| B2000-M3M | 3 Inlet, 3 Rigid Fittings, 3 Brackets, 3 Valves, 3 Floats & Dispenser-Specific Frame | \$3204 |
| B2000-M2M | 2 Inlet, 2 Rigid Fittings, 2 Brackets, 2 Valves, 2 Floats & Dispenser-Specific Frame | \$2771 |
| B2000-M1M | 1 Inlet, 1 Rigid Fittings, 1 Brackets, 1 Valves, 1 Floats & Dispenser-Specific Frame | \$2246 |
| SMALL PAN FOR DISPENSER LENGTHS OF 28" OR LESS | | LIST |
| B2000-M2S | 2 Inlet, 2 Rigid Fittings, 2 Brackets, 2 Valves, 2 Floats & Dispenser-Specific Frame | \$2706 |
| B2000-M1S | 1 Inlet, 1 Rigid Fittings, 1 Brackets, 1 Valves, 1 Floats & Dispenser-Specific Frame | \$2167 |
| SATELLITE ADDITIONS - ADD TO B2000 PART # EXAMPLE - " B2000-F3L-SAT1 " | | LIST |
| SAT1 | 1 Satellite Addition with 1 Fitting, 1 Bracket & 1 Valve | \$1140 |

The **"Bravo Box"** is the worlds first and foremost secondary containment system for fuel dispensers. It was removed in 2014 from the common products listing but is still supported.

It was and still is factory equipped with a patented low-point Float-Trip system that can trip a impact/crash valve when approximately 5oz. of fuel is captured in the reservoir.

Typically one float reservoir is paired with each inlet and isolation tabs across the width of the pan ensure only the offending valve/line is shut off, leaving the others in operation.

These UDC's are now made of epoxy-coated galvanized steel to maximize corrosion protection.