

**BRAVO-CERTIFICATION
REQUIRED**

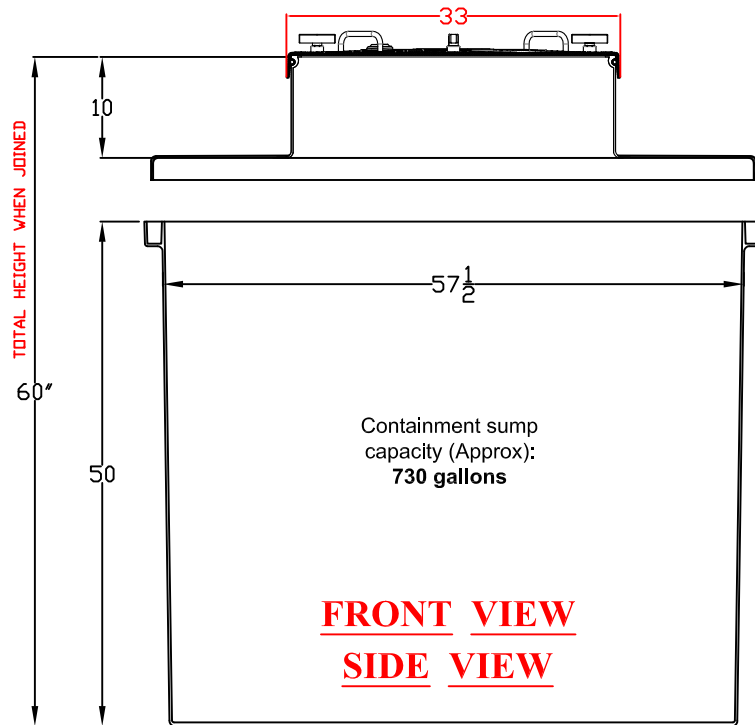
National Test covers this
product at sbravo.com/cert

B-835 Commercial Sump - 60" Square

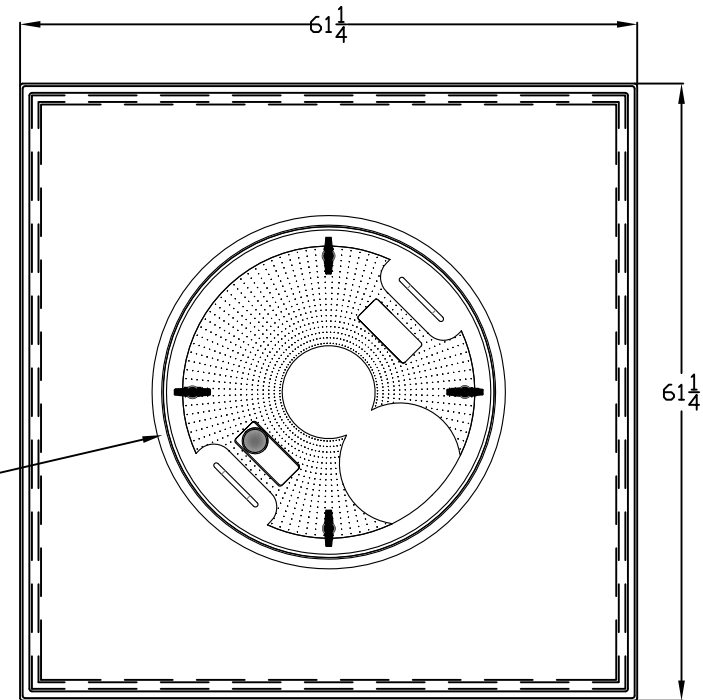
Visit www.sbravo.com/fs for all fittings

Installation manuals available at:
www.sbravo.com/install

Refer to pricelist for length
and height adder options



SNAP-LOCK
Cover
Included
(C32-SL)



PLAN VIEW

POUR IN PLACE U-CHANNEL
FOR TOP HAT REDUCER

INCLUDES 2x FRP-SLURRY-1GAL
1x FRP-SLURRY-1/2GAL

WWW.SBRAVO.COM

CONFIDENTIAL



COMMERCIAL OVERSIZE SINGLEWALL TRANSITION SUMP	
S. BRAVO SYSTEMS INC.	
DATE: 4/16/13	5-foot square with 32" SNAP-LOCK cover
BASE MODEL: B-835-SL	NAME: JS