

CONFIDENTIAL

B-833-D-AB Commercial Sump

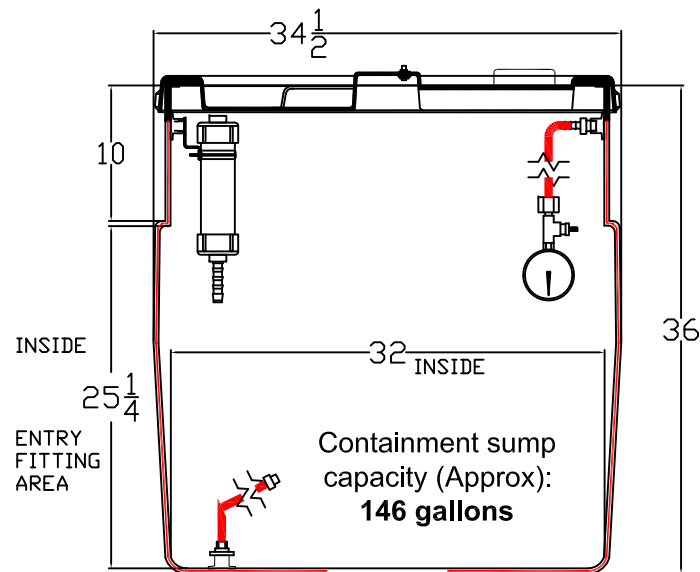
Visit www.sbravo.com/fs for all fittings

Installation manuals available at:
www.sbravo.com/install

Refer to pricelist for length
and height adder options

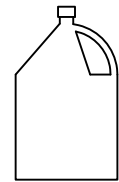
**BRAVO-CERTIFICATION
REQUIRED**

DoubleWall Test covers this
product at sbravo.com/cert



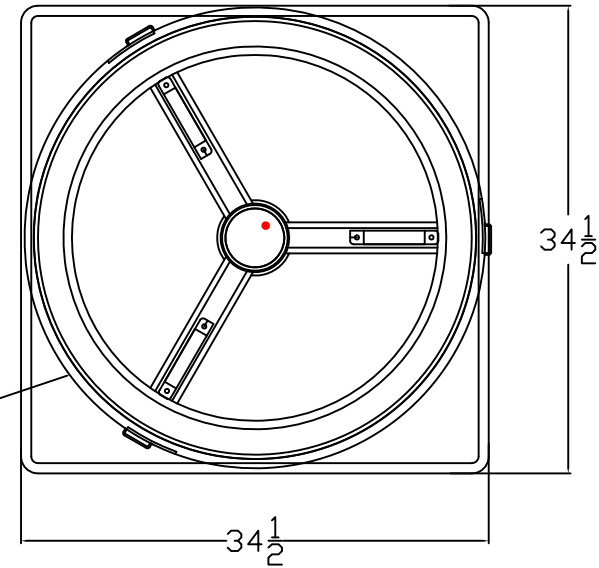
FRONT VIEW

SIDE VIEW



INTERSTITIAL FLUID
Propylene-Glycol
Provided - 4 GAL.

Twist-Lock
Cover Included
(CTW-32)



PLAN VIEW

WWW.SBRAVO.COM



COMMERCIAL OVERSIZE DOUBLEWALL TRANSITION SUMP

S. BRAVO SYSTEMS INC.

DATE: 7/15/11	Small 32" Twist Lock cover	REV.
MODEL: B-833-D-AB-CTW	NAME: JS	

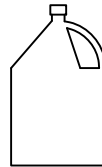
CONFIDENTIAL

B-834-D-AB Commercial Sump - 48" Square

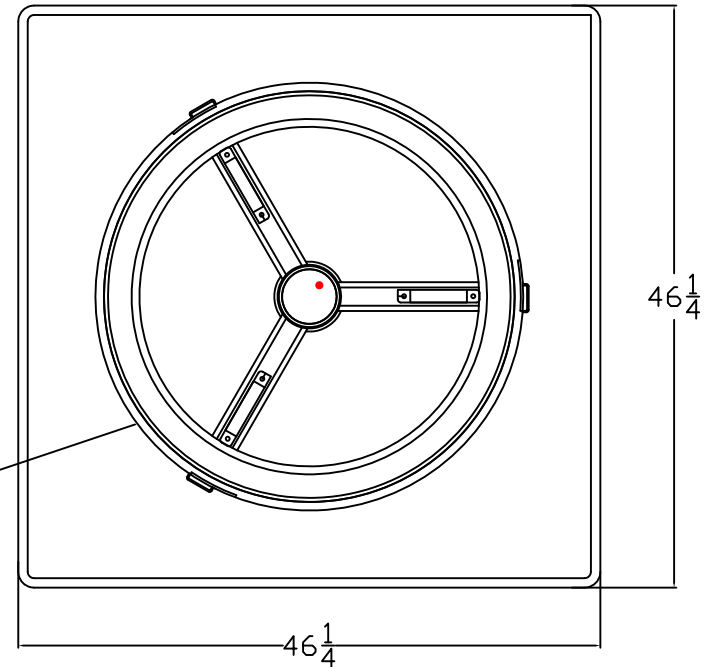
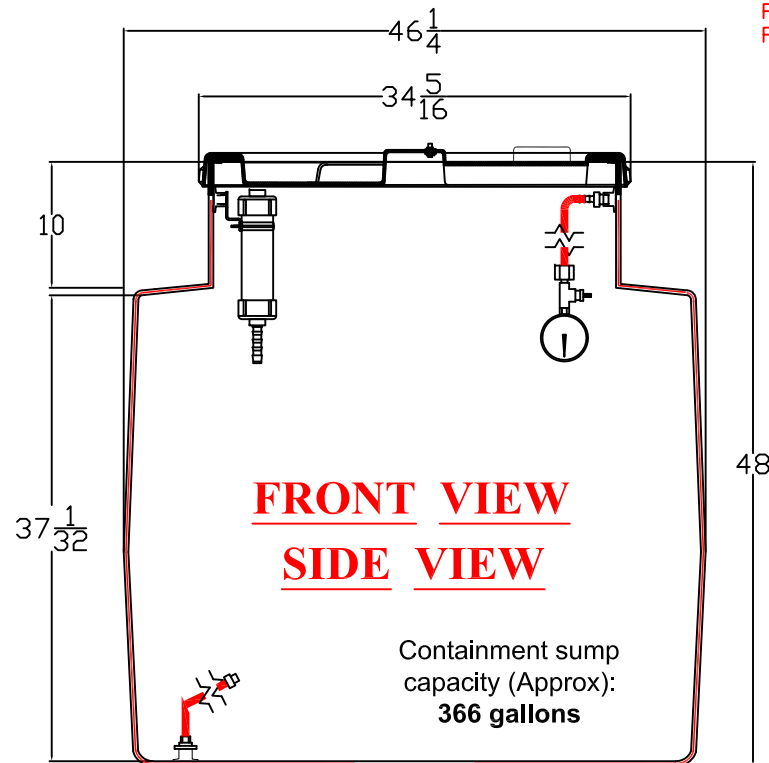
Visit www.sbravo.com/fs for all fittings

Installation manuals available at:
www.sbravo.com/install

Refer to pricelist for length
and height adder options



INTERSTITIAL FLUID
Propylene-Glycol
Provided - 6 GAL.



BRAVO-CERTIFICATION
REQUIRED
DoubleWall Test covers this
product at sbravo.com/cert

WWW.SBRAVO.COM



COMMERCIAL OVERSIZE DOUBLEWALL TRANSITION SUMP		
S. BRAVO SYSTEMS INC.		
DATE: 7/15/11	4-foot square with 32" Twist Lock cover	REV.
MODEL: B-834-D-AB-CTW	NAME: JS	

CONFIDENTIAL

B-835-D-AB Commercial Sump - 60" Square

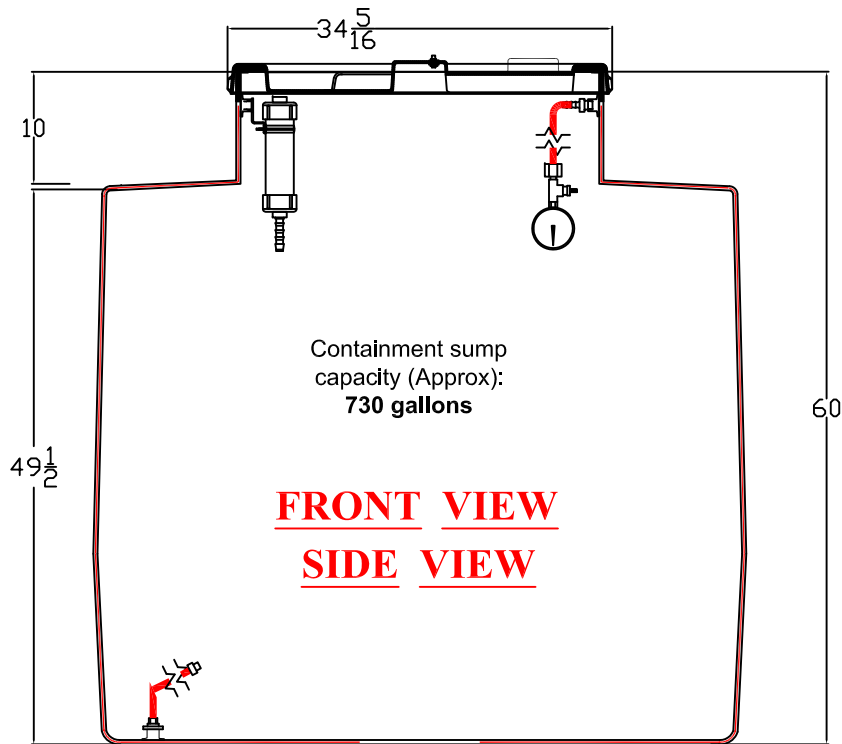
Visit www.sbravo.com/fs for all fittings

Installation manuals available at:
www.sbravo.com/install

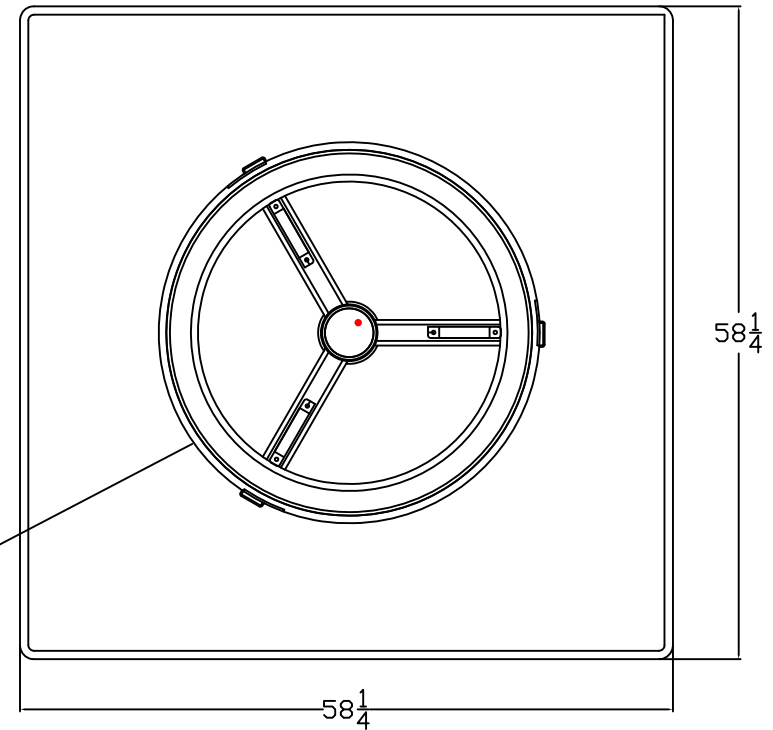
Refer to pricelist for length
and height adder options



INTERSTITIAL FLUID
Propylene-Glycol
Provided - 10 GAL.



FRONT VIEW
SIDE VIEW



PLAN VIEW

WWW.SBRAVO.COM



COMMERCIAL OVERSIZE DOUBLEWALL TRANSITION SUMP		
S. BRAVO SYSTEMS INC.		
DATE: 7/15/11	5-foot square with 32" Twist Lock cover	REV.
MODEL: B-835-D-AB-CTW	NAME: JS	