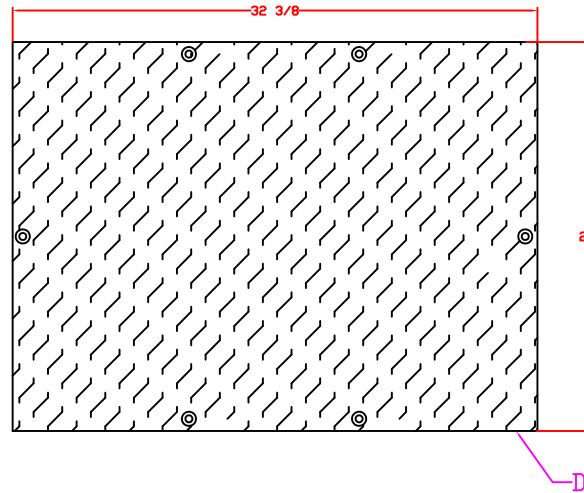
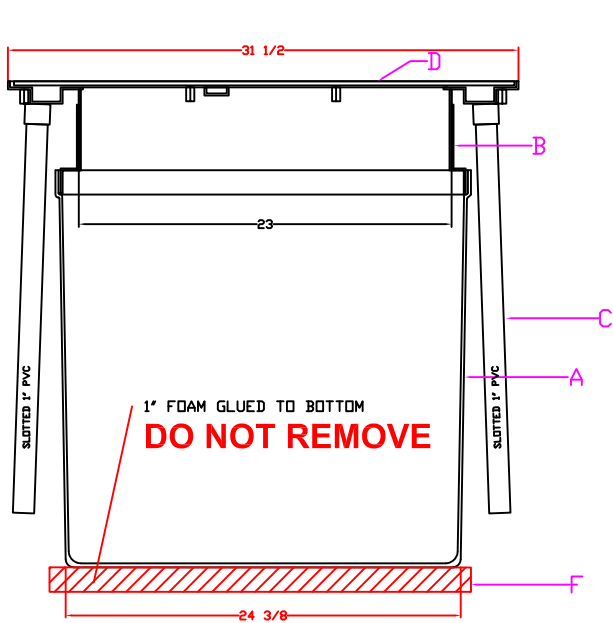


TOP VIEW

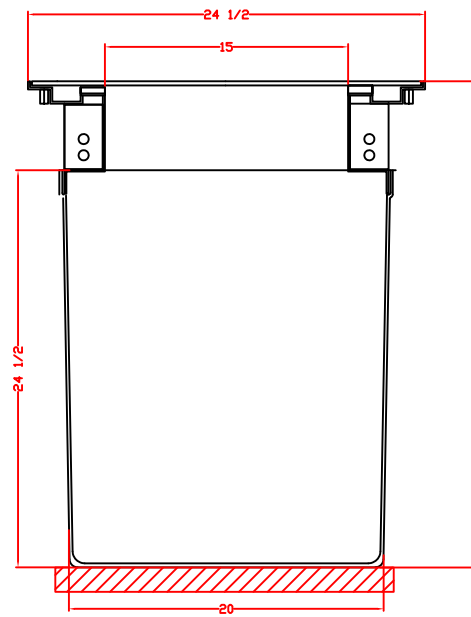


BILL OF MATERIALS		
NO.	QTY.	PART DESCRIPTION:
A	1	FRP BOX 25-1/2Lx20Wx24-1/2D
B	1	700 SMALL MIDFRAME
-	1	VULKEM SEALANT (116)
C	1	700 DRAIN KIT
	4	1' PVC DRAINS
	4	HALF NIPPLE
	4	1' STRAIGHT COUPLING
D	1	LID, 700 SMALL 1/4" DIAMOND
		PLATE HOT DIPPED GALVANIZED
-	4	SS FASTENERS
E	1	FIBERGLASS CHANNEL
F	1	1" FOAM GLUED TO BOTTOM

OPTIONAL FACTORY INSTALLED RIGID FITTINGS	
G	VFA-710-3 3" FITTING
H	VFA-710-152 1-1/2" OR 2" FITTING W/ FLEXIBLE REDUCER SEAL
I	VFA-710-175 1" OR 3/4" FITTING W/ FLEXIBLE ELECTRICAL REDUCER SEAL



SIDE VIEW



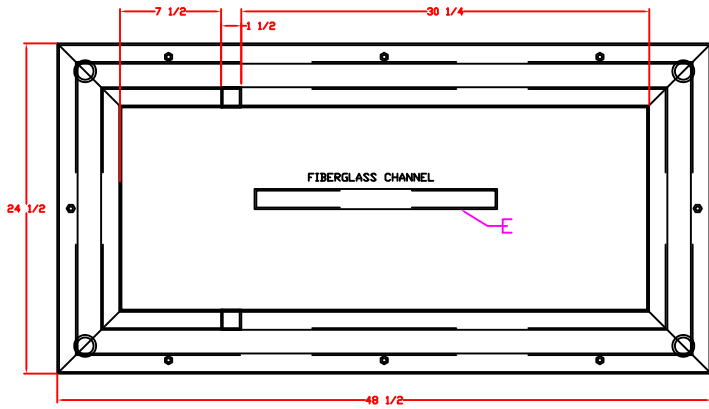
FRONT VIEW

**BRAVO-CERTIFICATION
REQUIRED**
National Test covers this
product at sbravo.com/cert

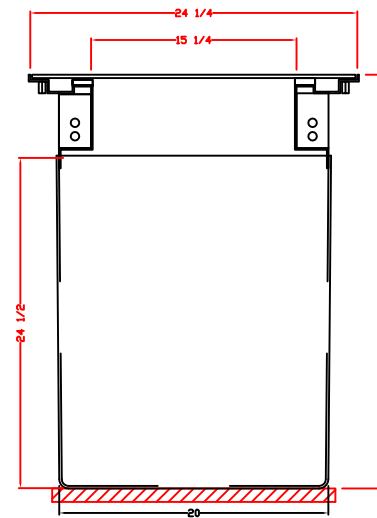
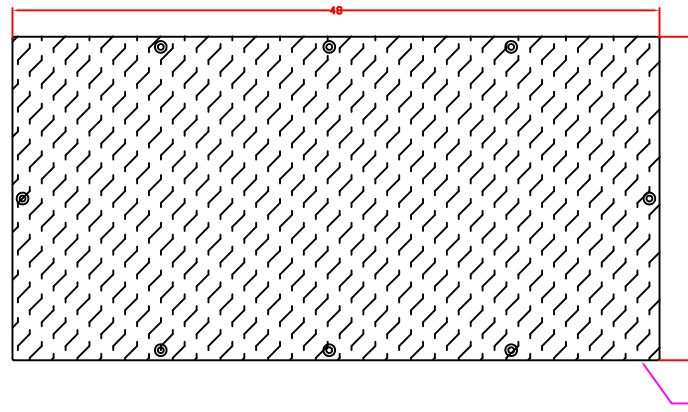
WWW.SBRAVO.COM



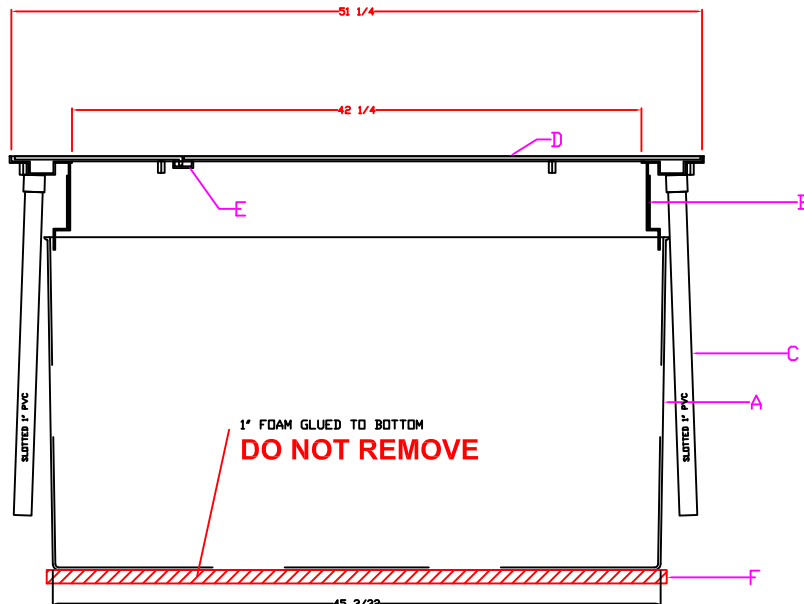
H2O RATED FIBERGLASS TRANSITION SUMP		
S. BRAVO SYSTEMS INC.		
DATE: 5/14/12	DWG NO. B-700-FS	REV.
Small B8000 size sump		NAME: JMP



TOP VIEW



FRONT VIEW



SIDE VIEW

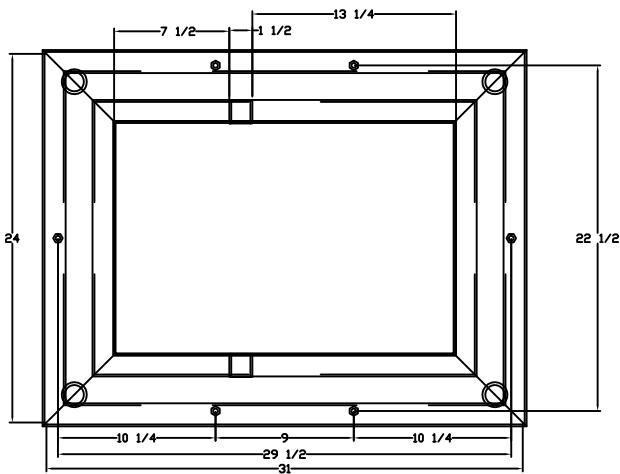
BILL OF MATERIALS		
NO.	QTY.	PART DESCRIPTION
A	1	FRP BOX 20Wx48Lx24-1/2D
B	1	700 LARGE MIDFRAME
-	1	VULKEM SEALANT (116)
C	1	700 DRAIN KIT
	4	1" PVC DRAINS
	4	HALF NIPPLE
	4	1" STRAIGHT COUPLING
D	1	LID, 700 LARGE 1/4" DIAMOND PLATE HOT DIPPED GALVANIZED
-	4	SS FASTENERS
E	1	FIBERGLASS CHANNEL
F	1	1" FOAM GLUED TO BOTTOM

OPTIONAL FACTORY INSTALLED RIGID FITTINGS		
G		VFA-710-3 3" FITTING
H		VFA-710-152 1-1/2" DR 2" FITTING W/ FLEXIBLE REDUCER SEAL
I		VFA-710-175 1" DR 3/4" FITTING W/ FLEXIBLE ELECTRICAL REDUCER SEAL

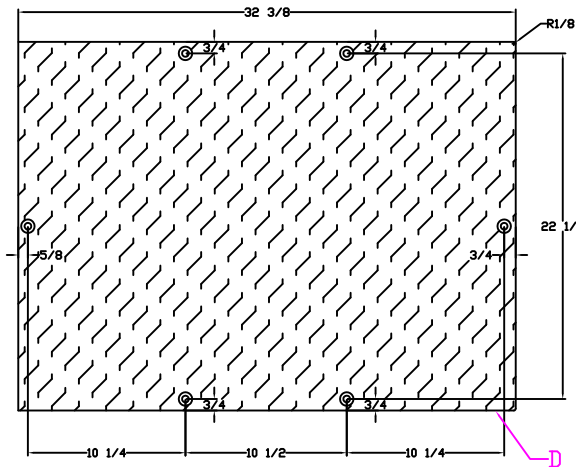
**BRAVO-CERTIFICATION
REQUIRED**
National Test covers this product at sbravo.com/cert

WWW.SBRAVO.COM

	H2O RATED FIBERGLASS TRANSITION SUMP		
	S. BRAVO SYSTEMS INC.		
	DATE: 5/14/12	DWC NO. B-700-FL	REV.
Large B8000 size sump			NAME: JMP



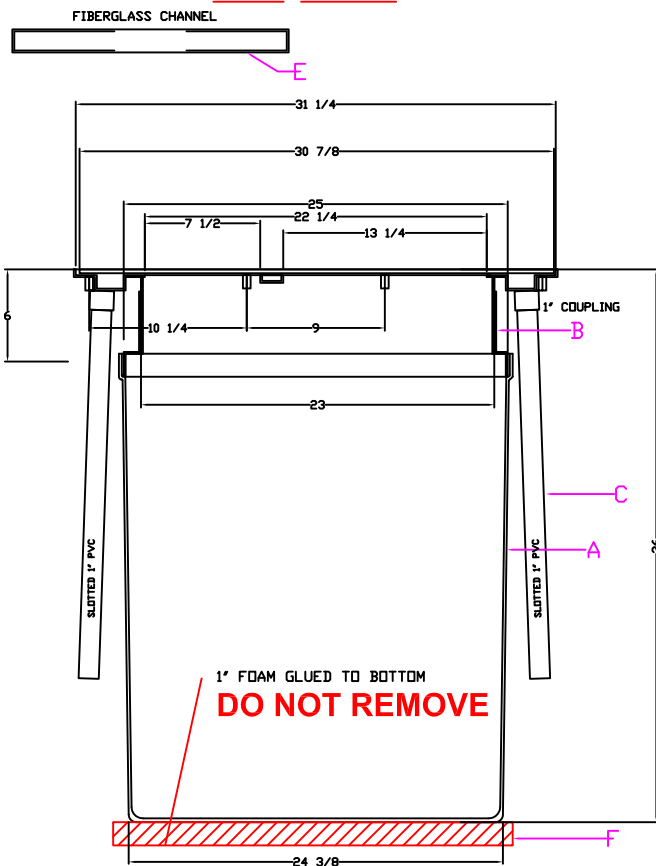
TOP VIEW



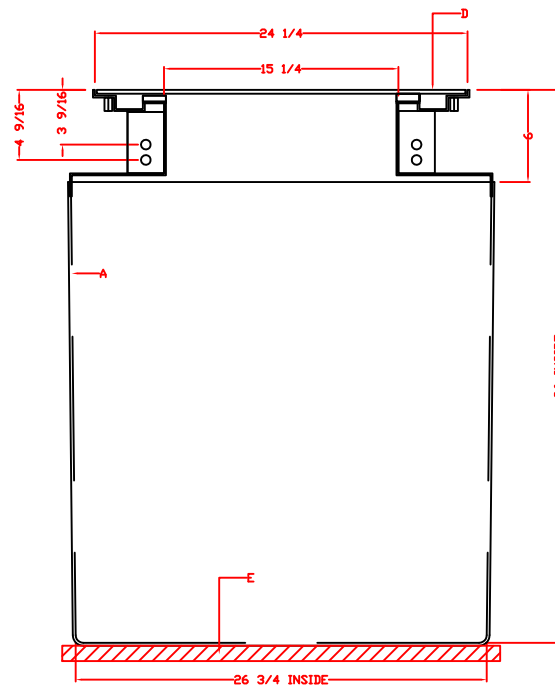
FRONT VIEW

BILL OF MATERIALS		
NO.	QTY.	PART DESCRIPTION
A	1	FRP BOX 25-1/2Lx27-3/8Wx30D
B	1	750 SMALL MIDFRAME
-	1	VULKEM SEALANT (116)
C	1	700 DRAIN KIT
	4	1" PVC DRAINS
	4	HALF NIPPLE
	4	1" STRAIGHT COUPLING
D	1	LID, 700 SMALL 1/4" DIAMOND PLATE HOT DIPPED GALVANIZED
-	4	SS FASTENERS
E	1	FIBERGLASS CHANNEL
F	1	1" FOAM GLUED TO BOTTOM

OPTIONAL FACTORY INSTALLED RIGID FITTINGS	
G	VFA-710-3 3" FITTING
H	VFA-710-152 1-1/2" DR 2" FITTING W/ FLEXIBLE REDUCER SEAL
I	VFA-710-175 1" DR 3/4" FITTING W/ FLEXIBLE ELECTRICAL REDUCER SEAL



SIDE VIEW

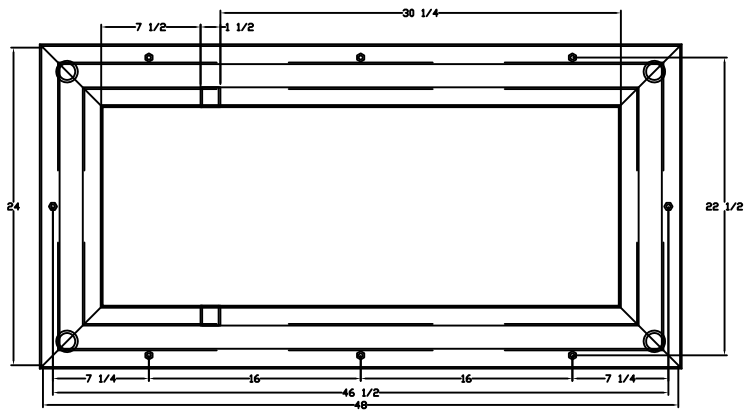


**BRAVO-CERTIFICATION
REQUIRED**
National Test covers this
product at sbravo.com/cert

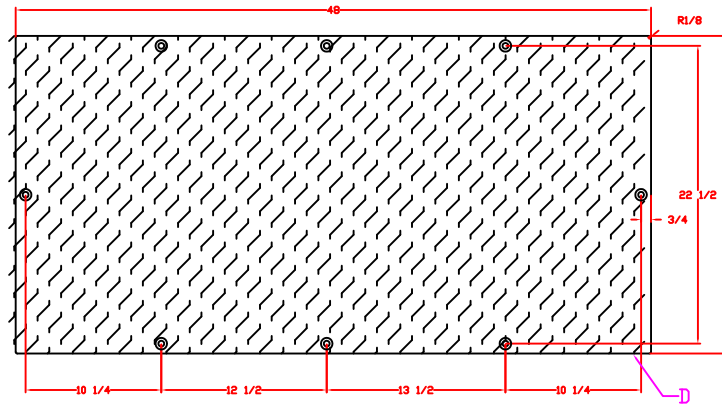
WWW.SBRAVO.COM



H2O RATED FIBERGLASS TRANSITION SUMP		
S. BRAVO SYSTEMS INC.		
DATE: 5/14/12	DWG NO. B-750-FS	REV.
MODEL: Small B9000 size sump		NAME: JMP

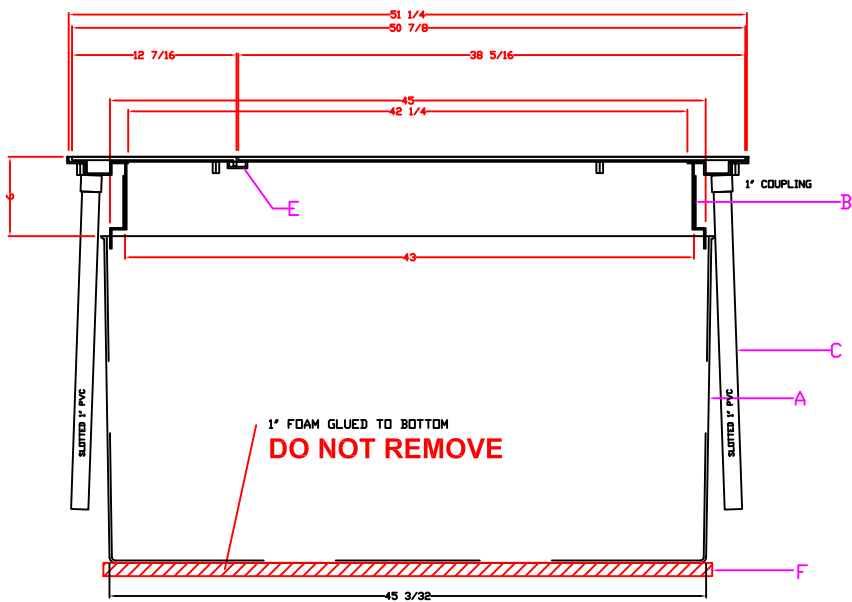
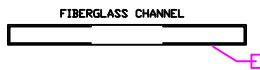


TOP VIEW

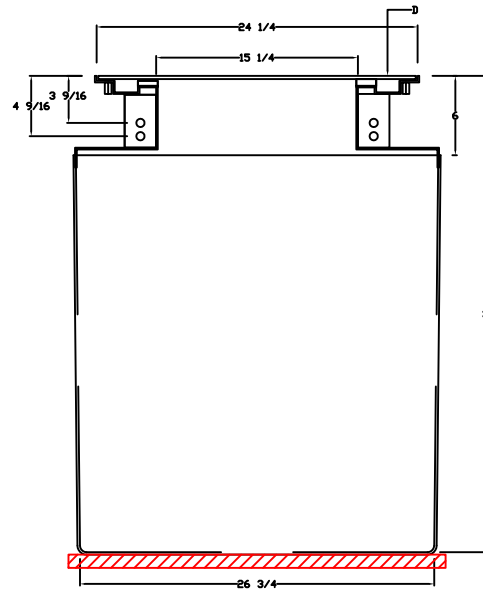


BILL OF MATERIALS		
NO.	QTY.	PART DESCRIPTION
A	1	FRP BOX 47-1/2Lx27-3/8Wx30D
B	1	750-B LARGE MIDFRAME
-	1	VULKEM SEALANT (116)
C	1	700 DRAIN KIT
	4	1" PVC DRAINS
	4	HALF NIPPLE
	4	1" STRAIGHT COUPLING
D	1	SOLID, 750 LARGE 1/4" DIAMOND PLATE HOT DIPPED GALVANIZED LID
-	4	SS FASTENERS
E	1	1" FOAM GLUED TO BOTTOM (801)

OPTIONAL FACTORY INSTALLED RIGID FITTINGS	
F	VFA-710-3 3" FITTING
G	VFA-710-152 1-1/2" DR 2" FITTING W/ FLEXIBLE REDUCER SEAL
H	VFA-710-175 1" DR 3/4" FITTING W/ FLEXIBLE ELECTRICAL REDUCER SEAL



SIDE VIEW



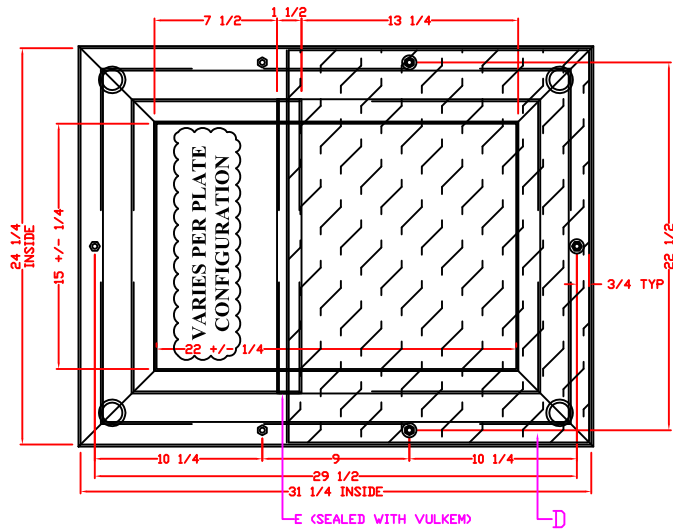
FRONT VIEW

**BRAVO-CERTIFICATION
REQUIRED**
National Test covers this
product at sbravo.com/cert

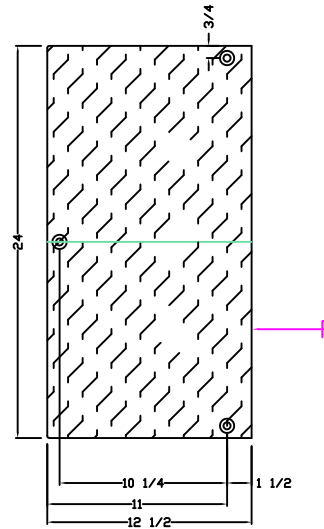
WWW.SBRAVO.COM



H2O RATED FIBERGLASS TRANSITION SUMP		
S. BRAVO SYSTEMS INC.		
DATE: 5/14/12	DWG NO. B-750-FL	REV.
MODEL: Large B9000 size sump	NAME: JMP	

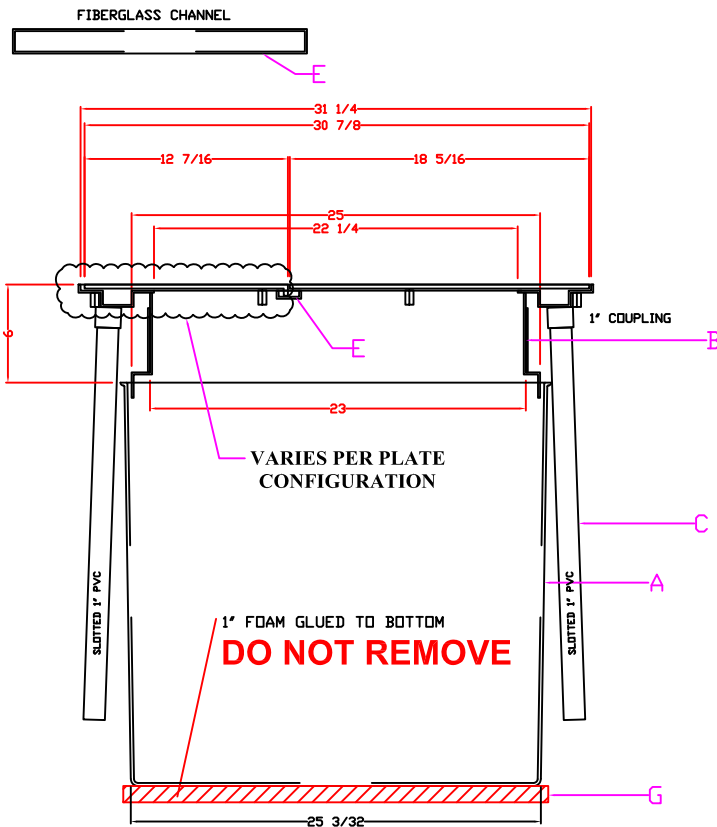


TOP VIEW

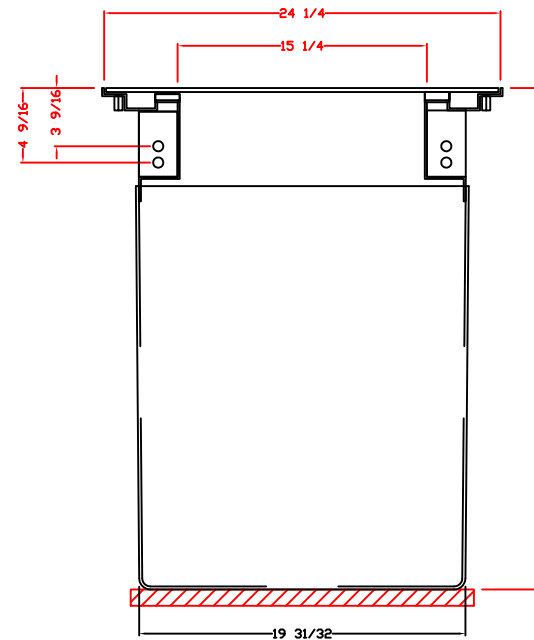


BILL OF MATERIALS		
NO.	QTY.	PART DESCRIPTION:
A	1	FRP BOX 25-1/2Lx20Wx24-1/2D
B	1	710 SMALL MIDFRAME
-	1	VULKEM SEALANT (116)
C	1	700 DRAIN KIT
	4	1" PVC DRAINS
	4	HALF NIPPLE
	4	1" STRAIGHT COUPLING
D	1	SPLIT LID, 710 SMALL 1/4" DIAMOND
		PLATE HOT DIPPED GALVANIZED
-	4	SS FASTENERS
E	1	FIBERGLASS CHANNEL
F	1	VARIES PER PLATE CONFIGURATION
G	1	1" FOAM GLUED TO BOTTOM

OPTIONAL FACTORY INSTALLED RIGID FITTINGS	
H	VFA-710-3 3" FITTING
J	VFA-710-152 1-1/2" DR 2" FITTING W/ FLEXIBLE REDUCER SEAL
K	VFA-710-175 1" DR 3/4" FITTING W/ FLEXIBLE ELECTRICAL REDUCER SEAL



SIDE VIEW



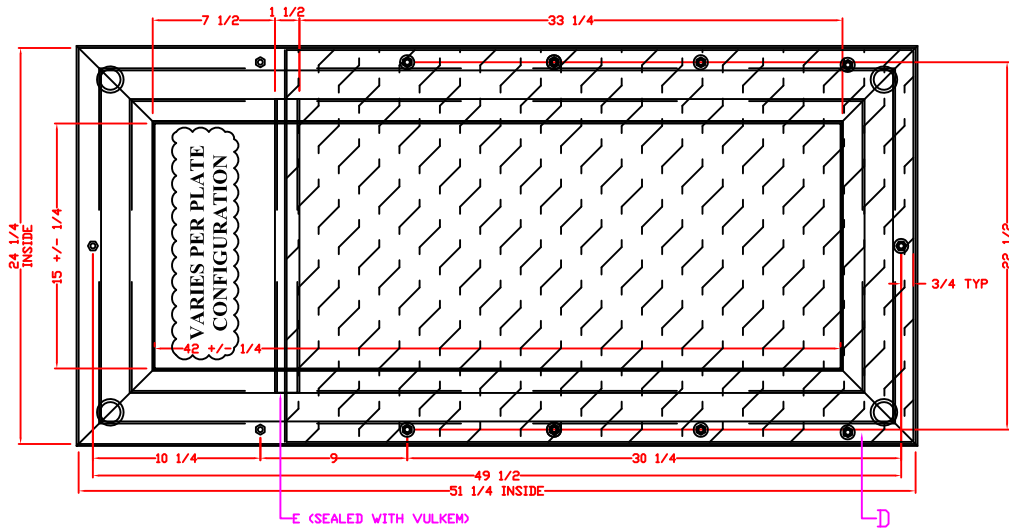
FRONT VIEW

**BRAVO-CERTIFICATION
REQUIRED**
National Test covers this
product at sbravo.com/cert

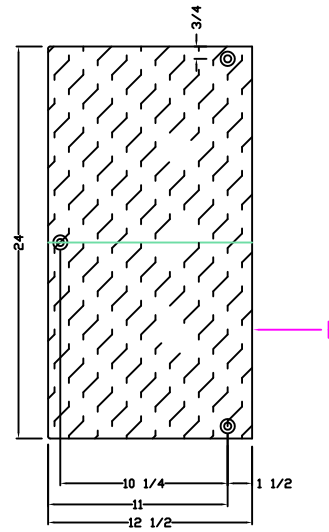


H2O RATED FIBERGLASS TRANSITION SUMP		
S. BRAVO SYSTEMS INC.		
DATE: 5/14/12	DWG NO. B-710-FS	REV.
MODEL: Small B8000 size sump	NAME: JMP	

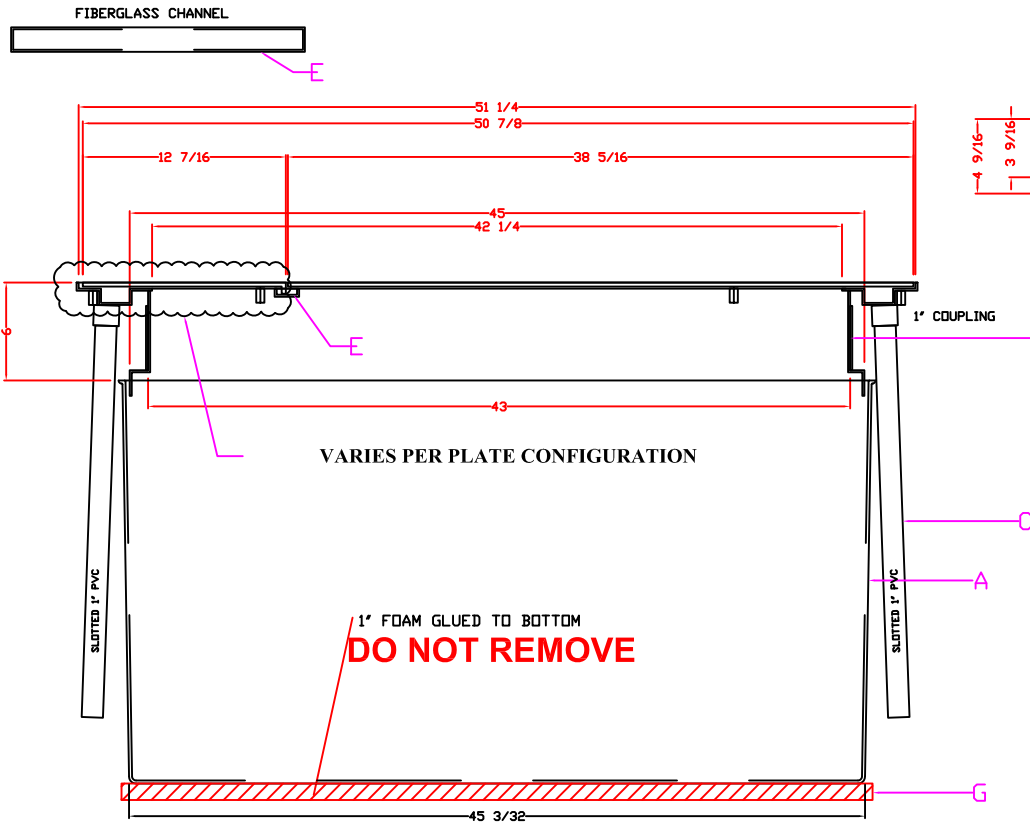
WWW.SBRAVO.COM



TOP VIEW



FRONT VIEW



SIDE VIEW

BILL OF MATERIALS		
NO.	QTY.	PART DESCRIPTION:
A	1	FRP BDX 42-1/2Lx20Wx24-1/2D
B	1	700 SMALL MIDFRAME
-	1	VULKEM SEALANT (116)
C	1	700 DRAIN KIT
	4	1" PVC DRAINS
	4	HALF NIPPLE
	4	1" STRAIGHT COUPLING
D	1	SPLIT LID, 710 SMALL 1/4" DIAMOND
		PLATE HOT DIPPED GALVANIZED
-	4	SS FASTENERS
E	1	FIBERGLASS CHANNEL
F	1	VARIES PER PLATE CNFIGURATION
G	1	1" FOAM GLUED TO BOTTOM

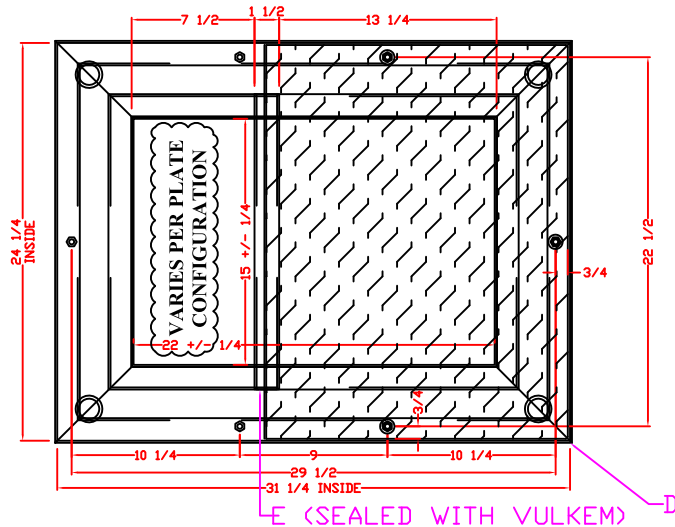
OPTIONAL FACTORY INSTALLED RIGID FITTINGS	
H	VFA-710-3 3" FITTING
J	VFA-710-152 1-1/2" OR 2" FITTING
	W/ FLEXIBLE REDUCER SEAL
K	VFA-710-175 1" OR 3/4" FITTING
	W/ FLEXIBLE ELECTRICAL REDUCER SEAL

**BRAVO-CERTIFICATION
REQUIRED**
National Test covers this
product at sbravo.com/cert

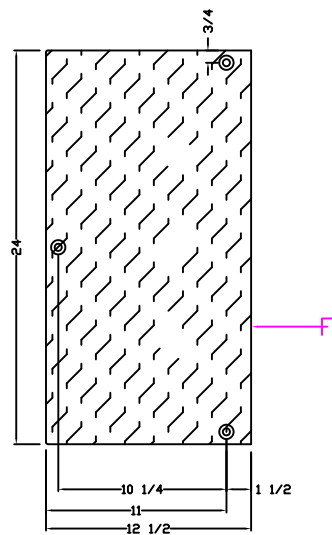


H2O RATED FIBERGLASS TRANSITION SUMP
S. BRAVO SYSTEMS INC.
 DATE: 5/14/12 DWG NO. B-710-FL REV.
 MODEL: Large B8000 size sump NAME: JMP

WWW.SBRAVO.COM



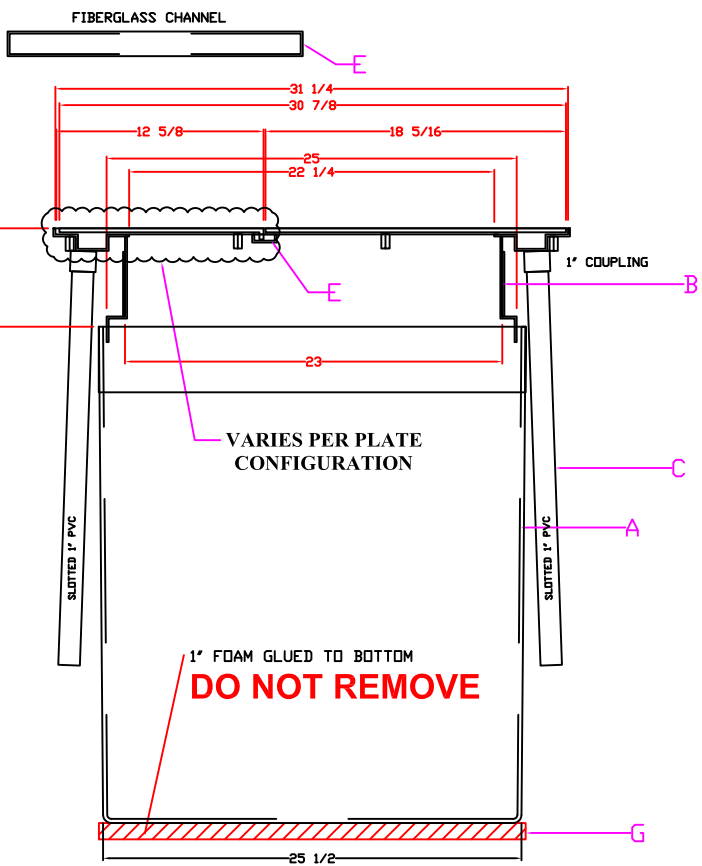
TOP VIEW



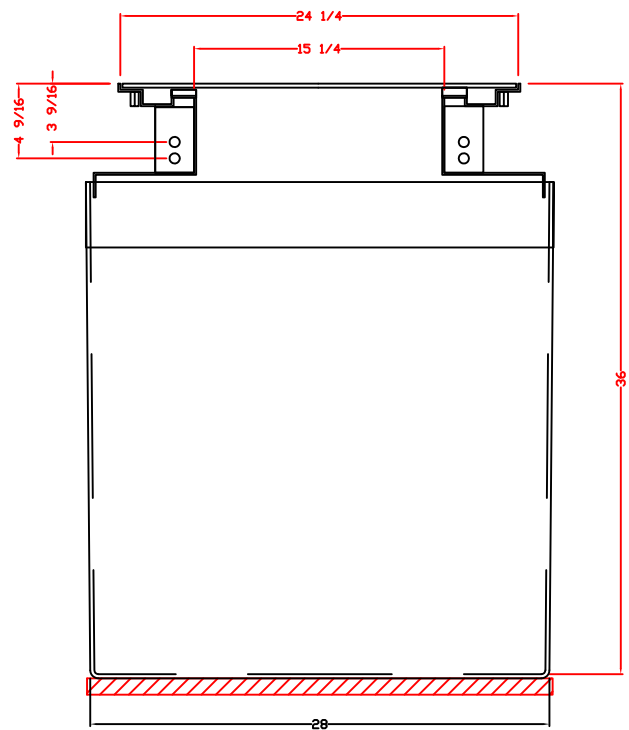
FRONT VIEW

BILL OF MATERIALS		
NO.	QTY.	PART DESCRIPTION:
A	1	FRP BOX 28Wx25-1/2Lx30D
B	1	760-B SMALL MIDFRAME
-	1	VULKEM SEALANT (116)
C	1	700 DRAIN KIT
	4	1" PVC DRAINS
	4	HALF NIPPLE
	4	1" STRAIGHT COUPLING
D	1	SPLIT LID, 710 SMALL 1/4" DIAMOND PLATE HOT DIPPED GALVANIZED
-	4	SS FASTENERS
E	1	FIBERGLASS CHANNEL
F	1	VARIES PER PLATE CONFIGURATION
G	1	1" FOAM GLUED TO BOTTOM

OPTIONAL FACTORY INSTALLED RIGID FITTINGS	
H	VFA-710-3 3" FITTING
J	VFA-710-152 1-1/2" DR 2" FITTING W/ FLEXIBLE REDUCER SEAL
K	VFA-710-175 1" DR 3/4" FITTING W/ FLEXIBLE ELECTRICAL REDUCER SEAL



SIDE VIEW

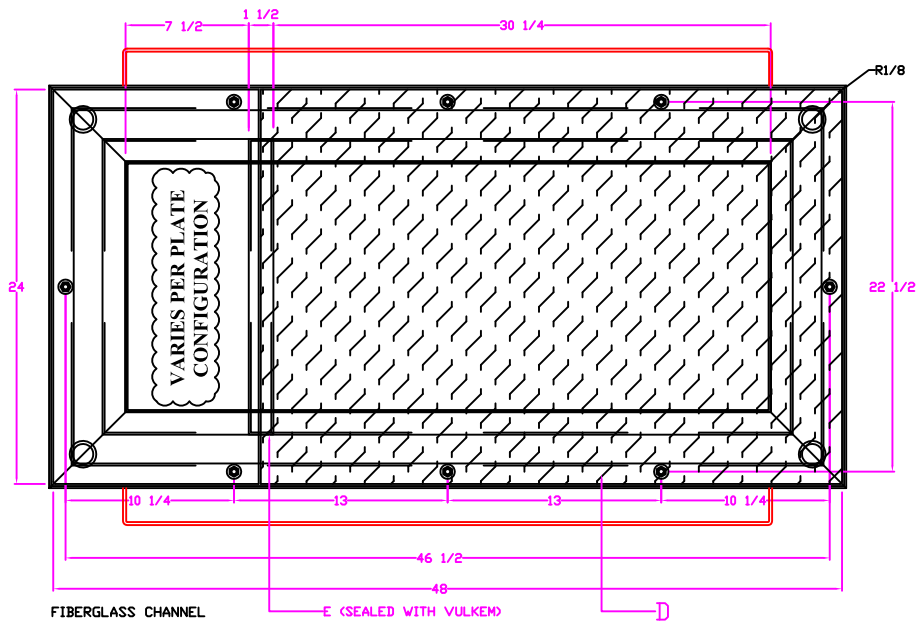


**BRAVO-CERTIFICATION
REQUIRED**
National Test covers this product at sbravo.com/cert

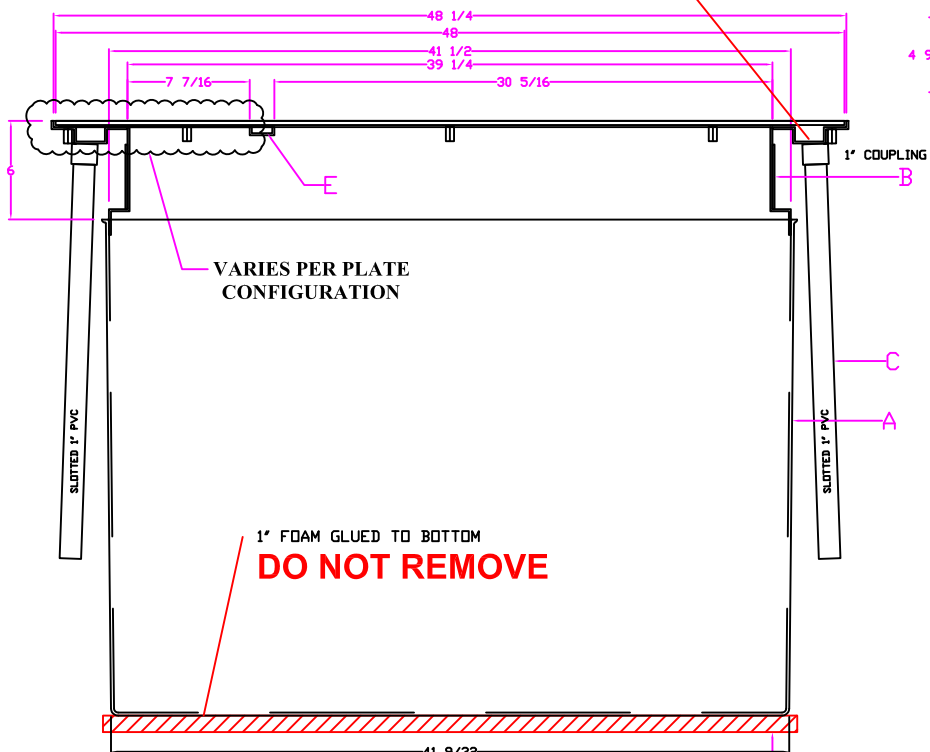


H2O RATED FIBERGLASS TRANSITION SUMP		
S. BRAVO SYSTEMS INC.		
DATE: 5/14/12	DWG NO. B-760-FS	REV.
MODEL: Small B8000 size sump	NAME: JMP	

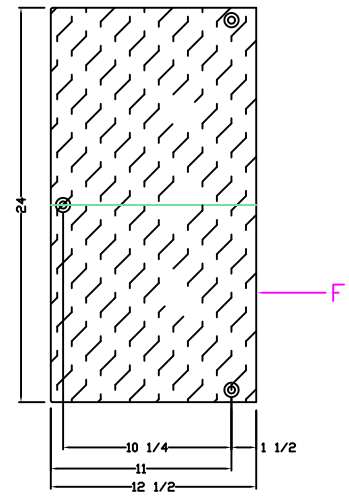
WWW.SBRAVO.COM



TOP VIEW



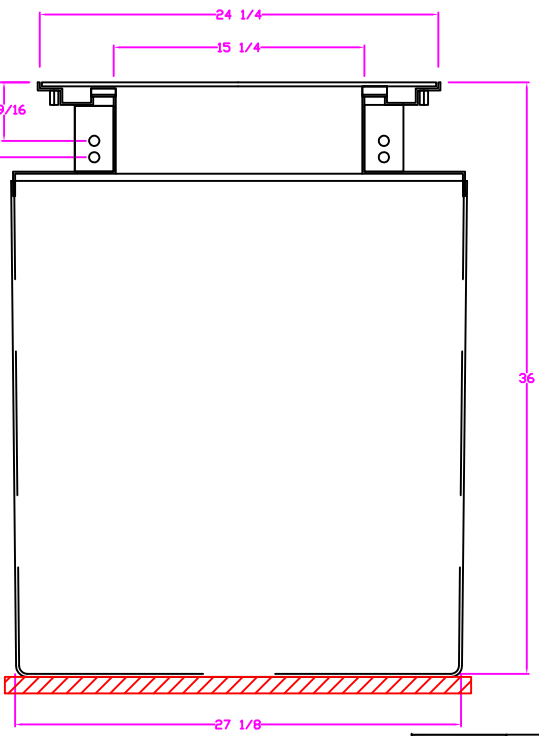
SIDE VIEW



BILL OF MATERIALS		
NO.	QTY.	PART DESCRIPTION:
A	1	FRP BOX 28Wx41-1/2Lx30D
B	1	710-B LARGE MIDFRAME
-	1	VULKEM SEALANT (116)
C	1	700 DRAIN KIT
	4	1" PVC DRAINS
	4	HALF NIPPLE
	4	1" STRAIGHT COUPLING
D	1	SPLIT LID, 710 LARGE 1/4" DIAMOND PLATE HOT DIPPED GALVANIZED
-	4	SS FASTENERS
E	1	FIBERGLASS CHANNEL
F	1	VARIES PER PLATE CONFIGURATION
G	1	1" FOAM GLUED TO BOTTOM

OPTIONAL FACTORY INSTALLED RIGID FITTINGS	
H	VFA-710-3 3" FITTING
J	VFA-710-152 1-1/2" OR 2" FITTING W/ FLEXIBLE REDUCER SEAL
K	VFA-710-175 1" OR 3/4" FITTING W/ FLEXIBLE ELECTRICAL REDUCER SEAL

BRAVO-CERTIFICATION REQUIRED
National Test covers this product at sbravo.com/cert

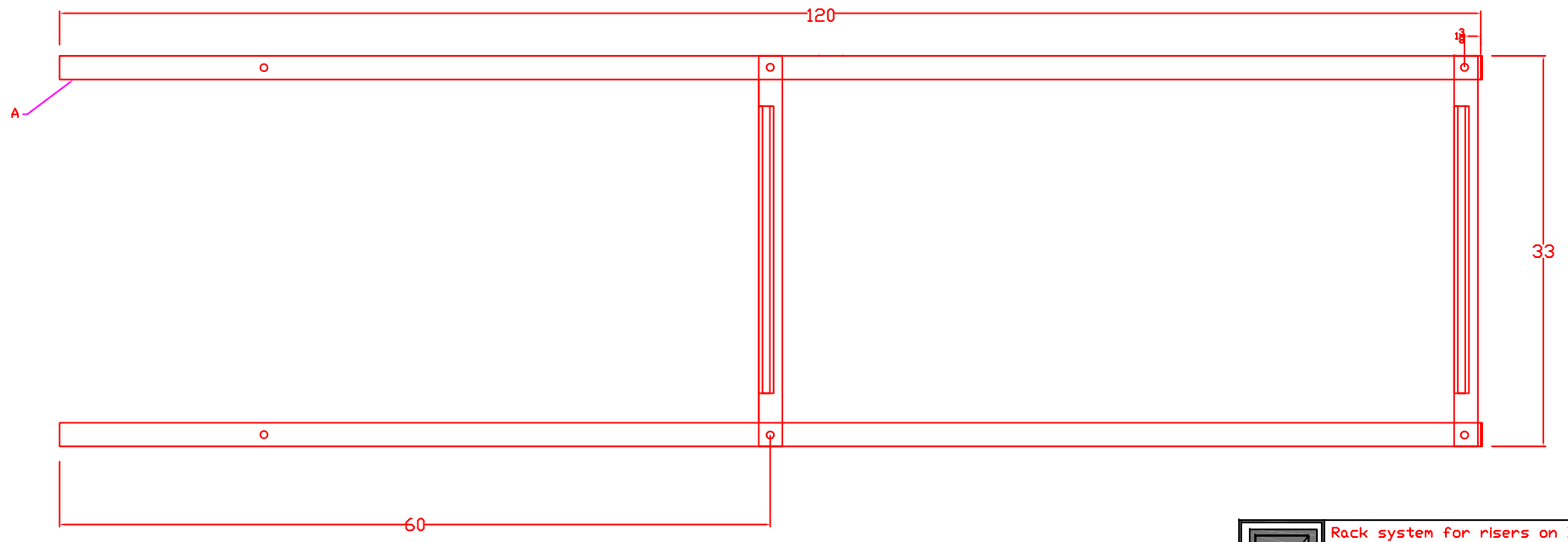
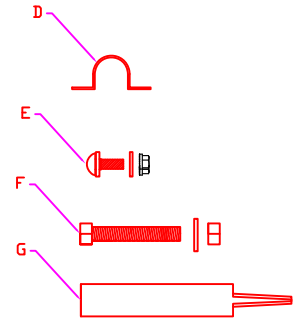
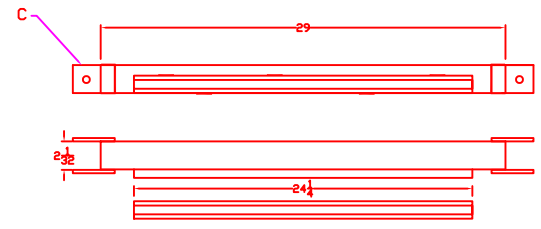
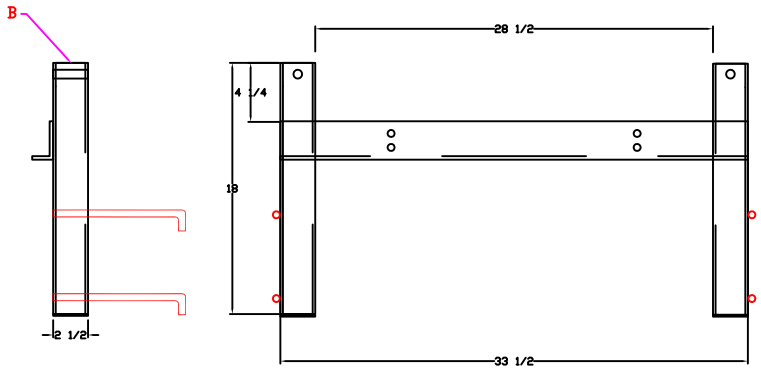


SIDE VIEW

WWW.SBRAVO.COM

	H2O RATED FIBERGLASS TRANSITION SUMP	
	S. BRAVO SYSTEMS INC.	
DATE: 5/14/12	DWG NO. B-760-FL	REV.
MODEL: LARGE UDC	NAME: JMP	

BILL OF MATERIALS		
NO.	QTY.	PART DESCRIPTION
A	1	RS-500
B	1	RACK
C	1	CROSS BAR
D	10	2" PIPE CLAMP
E	12	3/8" CARRIAGE BOLT, WHIZNUT AND SQ NUT CUT CORNER
F	6	1/2" X 3" HEX-BOLT, WASHER AND NUT
G	1	BLACK VULKEM SEALANT



Rack system for risers on B700 series
S. BRAVO SYSTEMS INC.
 DATE: 5/14/12 DWG NO. FULL RACK REV.
 MODEL: RS-710/RS-760 FULL RACK NAME: JMP

WWW.SBRAVO.COM