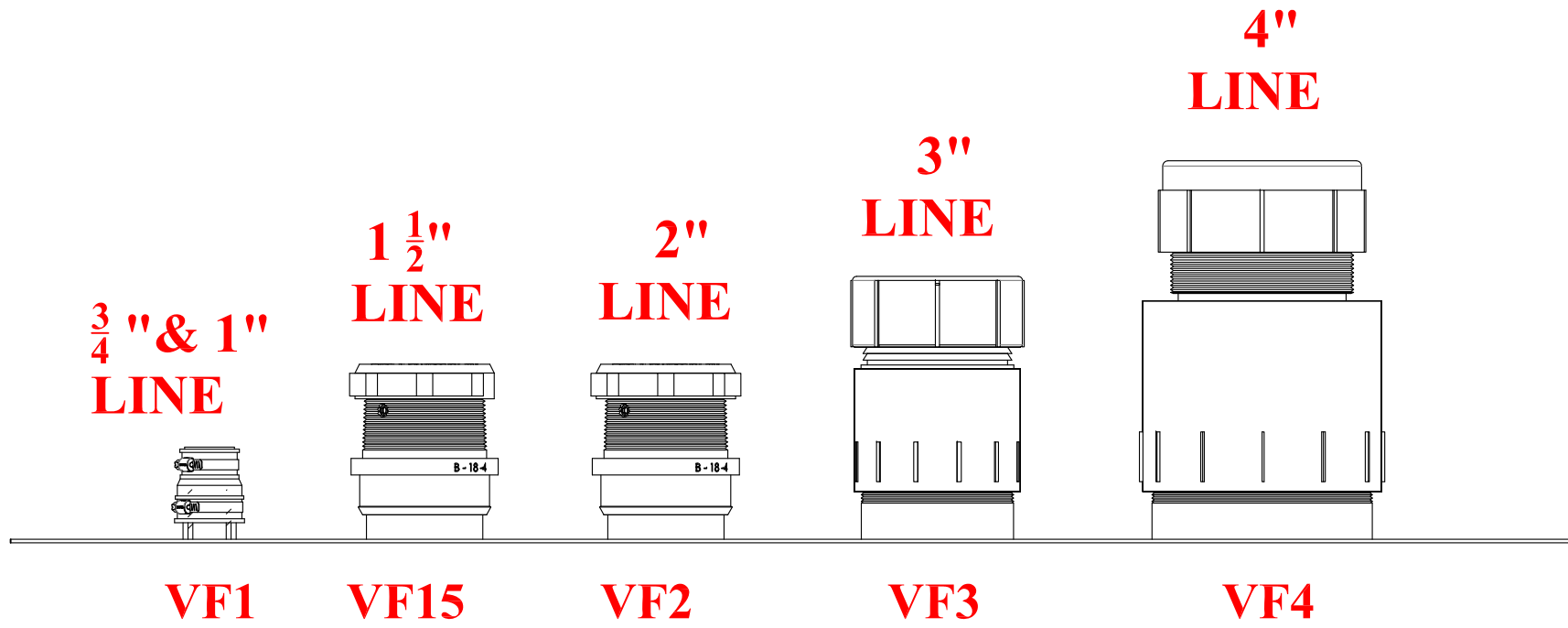


# AST FITTING OPTIONS

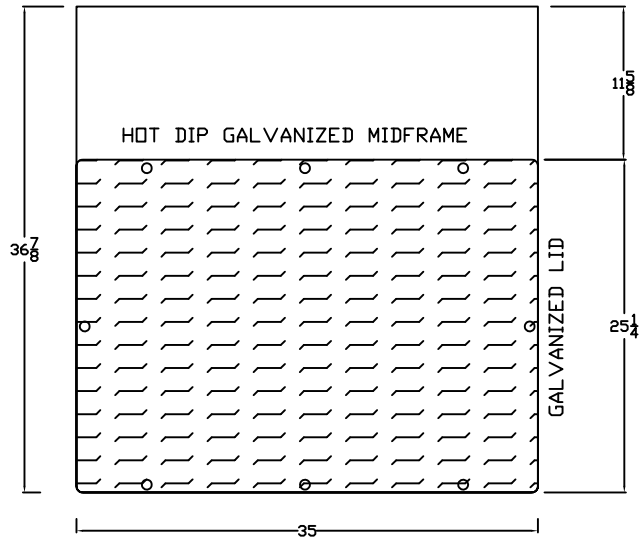
## FOR B-600 COMMERCIAL SERIES



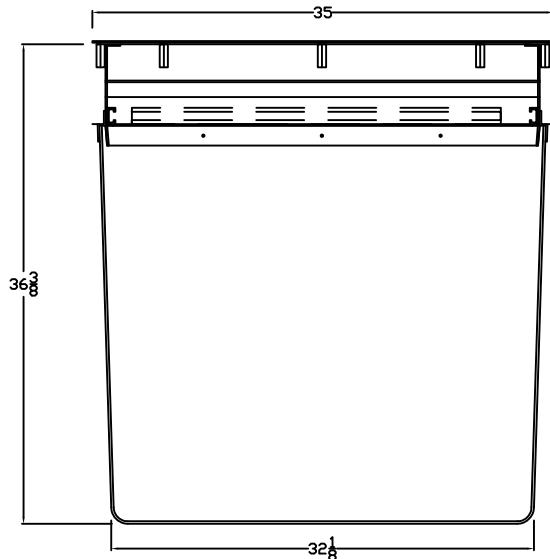
NOTE: ALL FITTING MODELS SHOWN ABOVE ARE THREADED ONTO A FACTORY WELDED MNPT NIPPLE (excluding VF1).

BILL OF MATERIALS

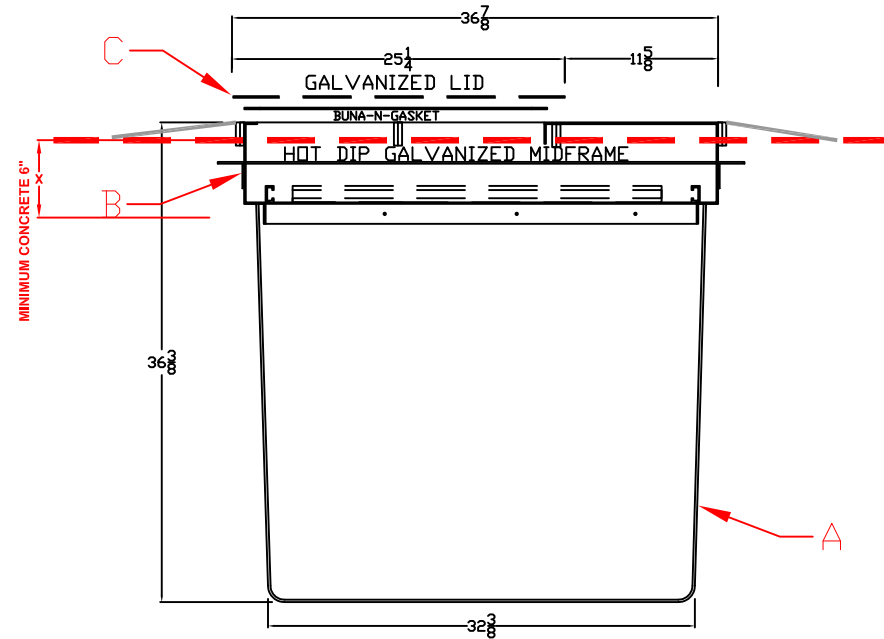
NO.	QTY.	PART DESCRIPTION
A	1	3x3x3 FRP SINGLE WALL TRANSITION SUMP
B	1	HOT DIP GALVANIZE MID FRAME
C	1	GALVANIZE LID



**PLAN VIEW**



**FRONT VIEW**



**SIDE VIEW**

**CONFIDENTIAL**

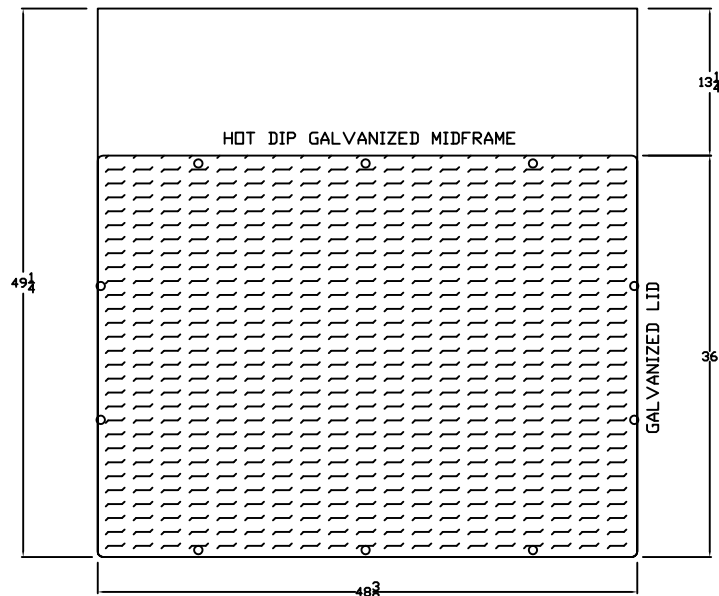
[WWW.SBRAVO.COM](http://WWW.SBRAVO.COM)



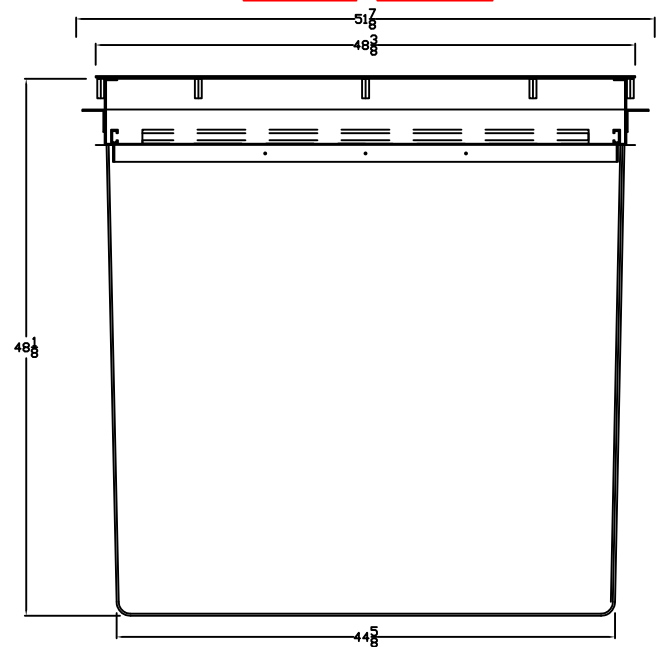
**S. BRAVO SYSTEMS INC.**

DATE: 4/24/06	DWG NO. B-630	REV.
MODEL: SINGLEWALL COMMERCIAL 3'x3'x3' TRANSITION SUMP		NAME: JS

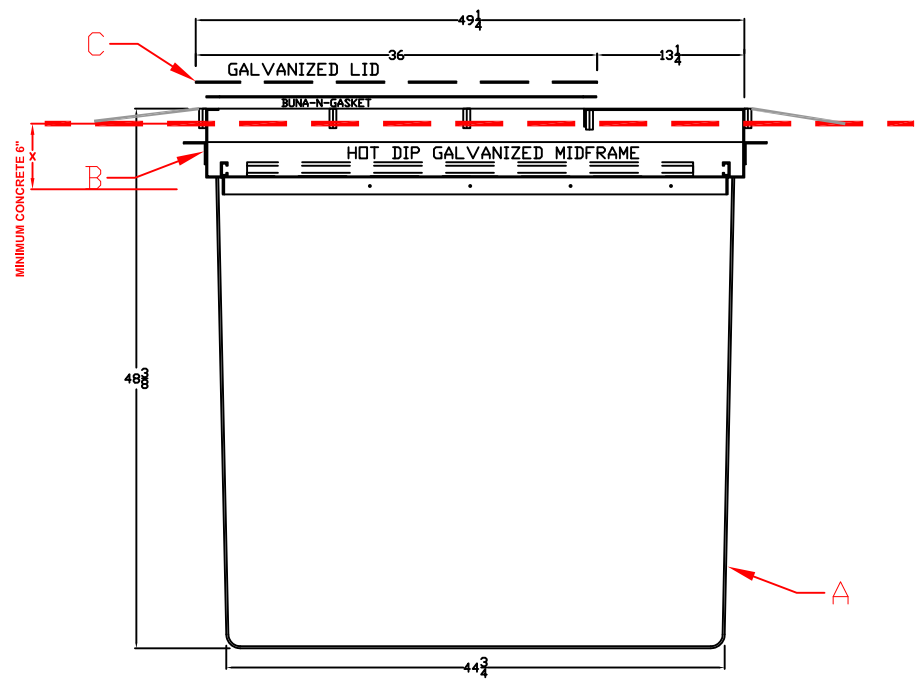
BILL OF MATERIALS		
NO.	QTY.	PART DESCRIPTION
A	1	4x4x4 FRP SINGLE WALL TRANSITION SUMP
B	1	HOT DIP GALVANIZE MID FRAME
C	1	GALVANIZE LID



**PLAN VIEW**



**FRONT VIEW**

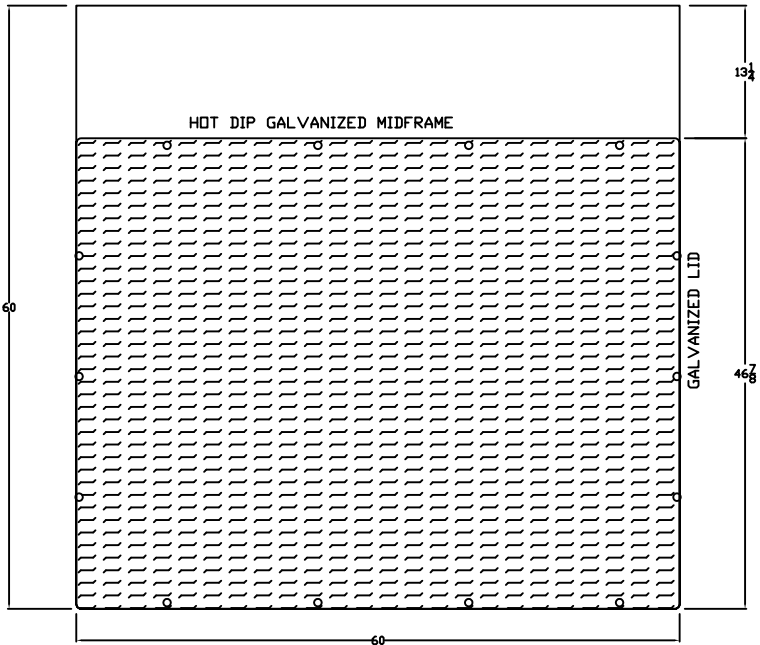


**SIDE VIEW**

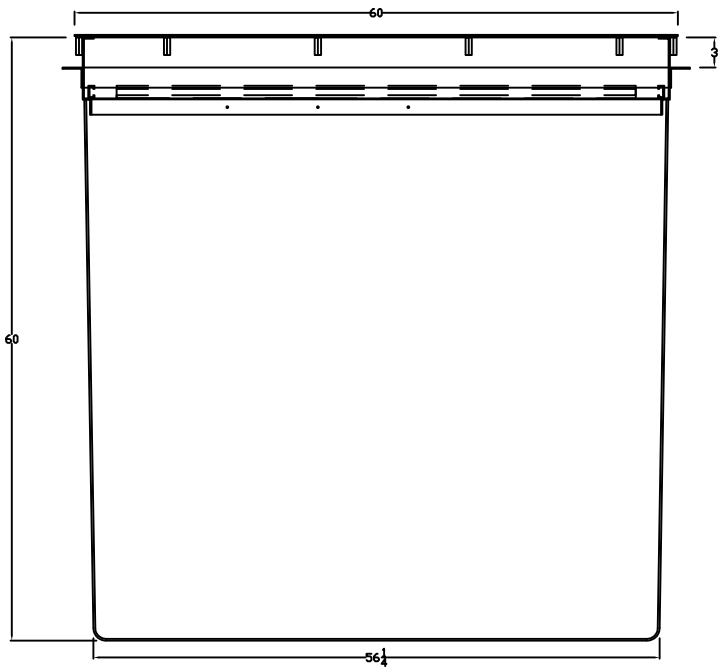
[WWW.SBRAVO.COM](http://WWW.SBRAVO.COM)

	<b>S. BRAVO SYSTEMS INC.</b>	
	DATE: 8/2/06	DWG NO. B-640
	MODEL: SINGLEWALL COMMERCIAL 4'x4'x4' TRANSITION SUMP	NAME: JS

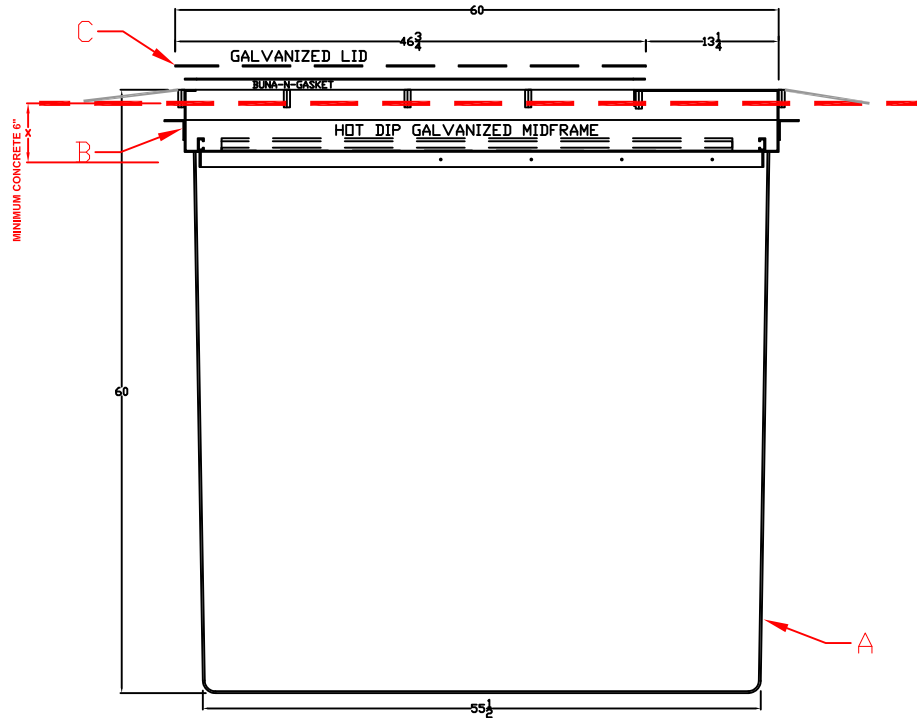
BILL OF MATERIALS		
NO.	QTY.	PART DESCRIPTION:
A	1	5x5x5 FRP SINGLE WALL TRANSITION SUMP
B	1	HOT DIP GALVANIZE MID FRAME
C	1	GALVANIZE LID



**PLAN VIEW**



**FRONT VIEW**



**SIDE VIEW**

**CONFIDENTIAL**

[WWW.SBRAVO.COM](http://WWW.SBRAVO.COM)



**S. BRAVO SYSTEMS INC.**

DATE: 8/2/06	DWG NO. B-650	REV.
MODEL: SINGLE WALL COMMERCIAL 5'x5'x5' TRANSITION SUMP		NAME: JS