

NOTE: UDC LENGTH IS SHORTER THAN EXPECTED TO ALLOW FOR OUR EO (ELECTRICAL OFFSET) DESIGN. EO AREAS ARE PROVIDED ON BOTH ENDS. DISPENSER FOOTPRINT IS INDICATED BY BLUE DASHED LINE.

NOTE:

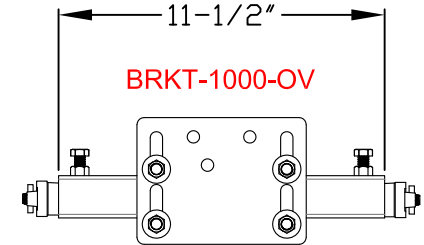
THIS DRAWING IS PROVIDED AS A REFERENCE FOR THE GENERAL SIZE AND LAYOUT OF THE UDC. THE INSTALLATION OF THE BRAVO STABILIZER BRACKETS FOR SHEAR VALVE ALIGNMENT WITH DISPENSER INLETS IS THE RESPONSIBILITY OF THE INSTALLING CONTRACTOR.

B-1000-OV

FOR WAYNE OVATION ONLY

BRAVO-CERTIFICATION REQUIRED
National Test covers this product at sbravo.com/cert

Visit www.sbravo.com/fs for all fiberglass entry fittings



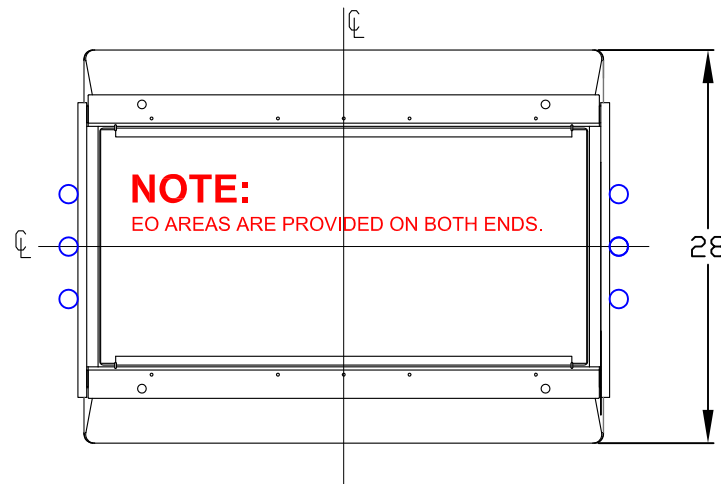
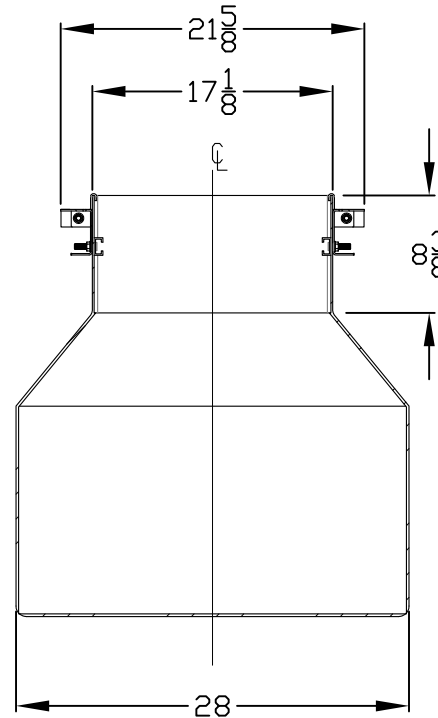
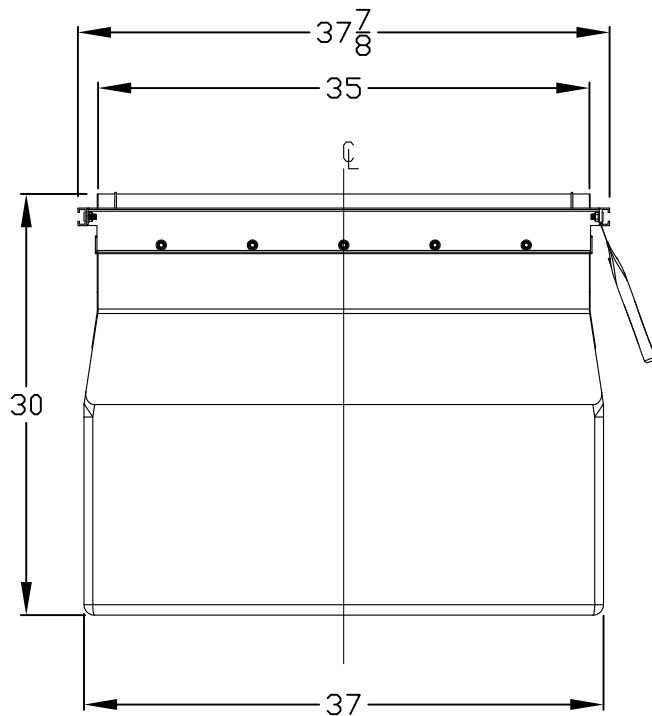
FOR BOTH PRODUCT AND VAPOR. BRACKETS MUST BE ORDERED SEPERATELY.

WWW.SBRAVO.COM

CONFIDENTIAL



S. BRAVO SYSTEMS INC.		
DATE: 9/9/13	DWG NO. B-1000-OV	REV.
MODEL: B-1000-OV / B-1000-OV-E		NAME: JS

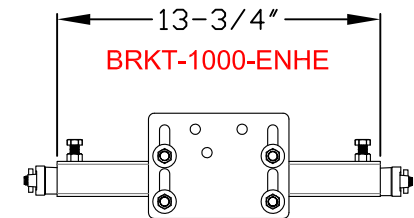


B-1000-EN

**FOR GILBARCO
ENCORE ONLY**

**BRAVO-CERTIFICATION
REQUIRED**
National Test covers this
product at sbravo.com/cert

Visit www.sbravo.com/fs
for all fiberglass entry fittings



FOR BOTH PRODUCT AND VAPOR,
BRACKETS MUST BE ORDERED
SEPERATELY.

NOTE:

THIS DRAWING IS PROVIDED AS
A REFERENCE FOR THE GENERAL
SIZE AND LAYOUT OF THE UDC.
THE INSTALLATION OF THE
BRAVO STABILIZER BRACKETS
FOR SHEAR VALVE ALIGNMENT
WITH DISPENSER INLETS IS
THE RESPONSIBILITY OF THE
INSTALLING CONTRACTOR.

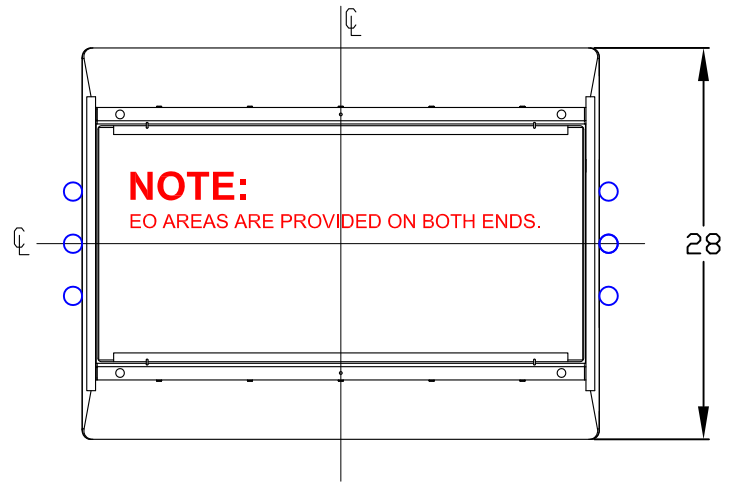
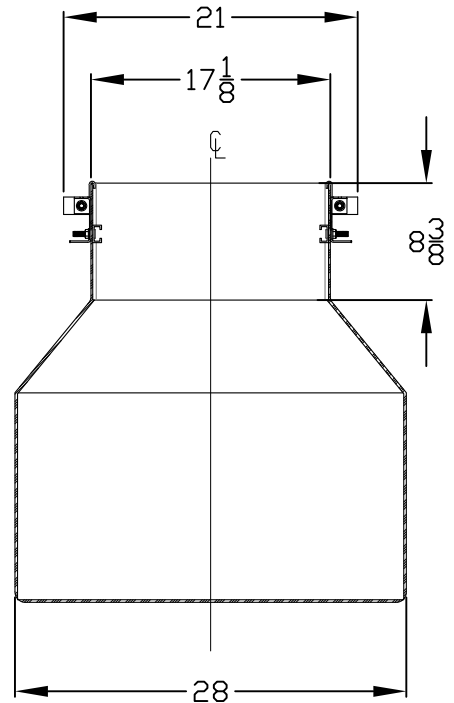
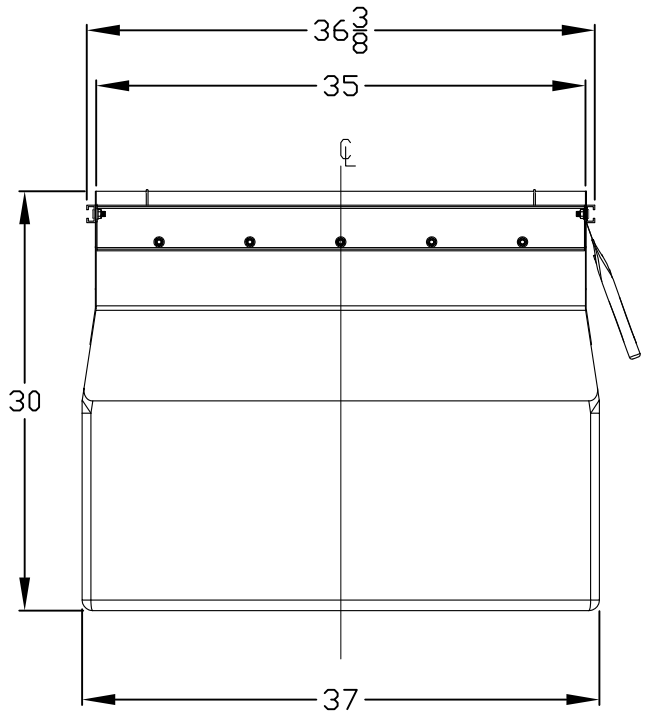
WWW.SBRAVO.COM

CONFIDENTIAL



S. BRAVO SYSTEMS INC.

DATE: 9/9/13	DWG NO. B-1000-EN	REV.
MODEL: B-1000-EN / B-1000-EN-E		NAME: JS

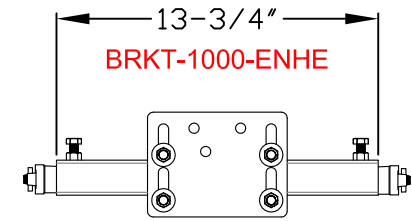


B-1000-HE

**FOR WAYNE
HELIX ONLY**

**BRAVO-CERTIFICATION
REQUIRED**
National Test covers this
product at sbravo.com/cert

Visit www.sbravo.com/fs
for all fiberglass entry fittings



FOR BOTH PRODUCT AND VAPOR.
BRACKETS MUST BE ORDERED
SEPERATELY.

NOTE:

THIS DRAWING IS PROVIDED AS
A REFERENCE FOR THE GENERAL
SIZE AND LAYOUT OF THE UDC.
THE INSTALLATION OF THE
BRAVO STABILIZER BRACKETS
FOR SHEAR VALVE ALIGNMENT
WITH DISPENSER INLETS IS
THE RESPONSIBILITY OF THE
INSTALLING CONTRACTOR.

WWW.SBRAVO.COM

CONFIDENTIAL



S. BRAVO SYSTEMS INC.		
DATE: 9/9/13	DWG NO. B-1000-HE	REV.
MODEL: B-1000-HE / B-1000-HE-E	NAME: JS	